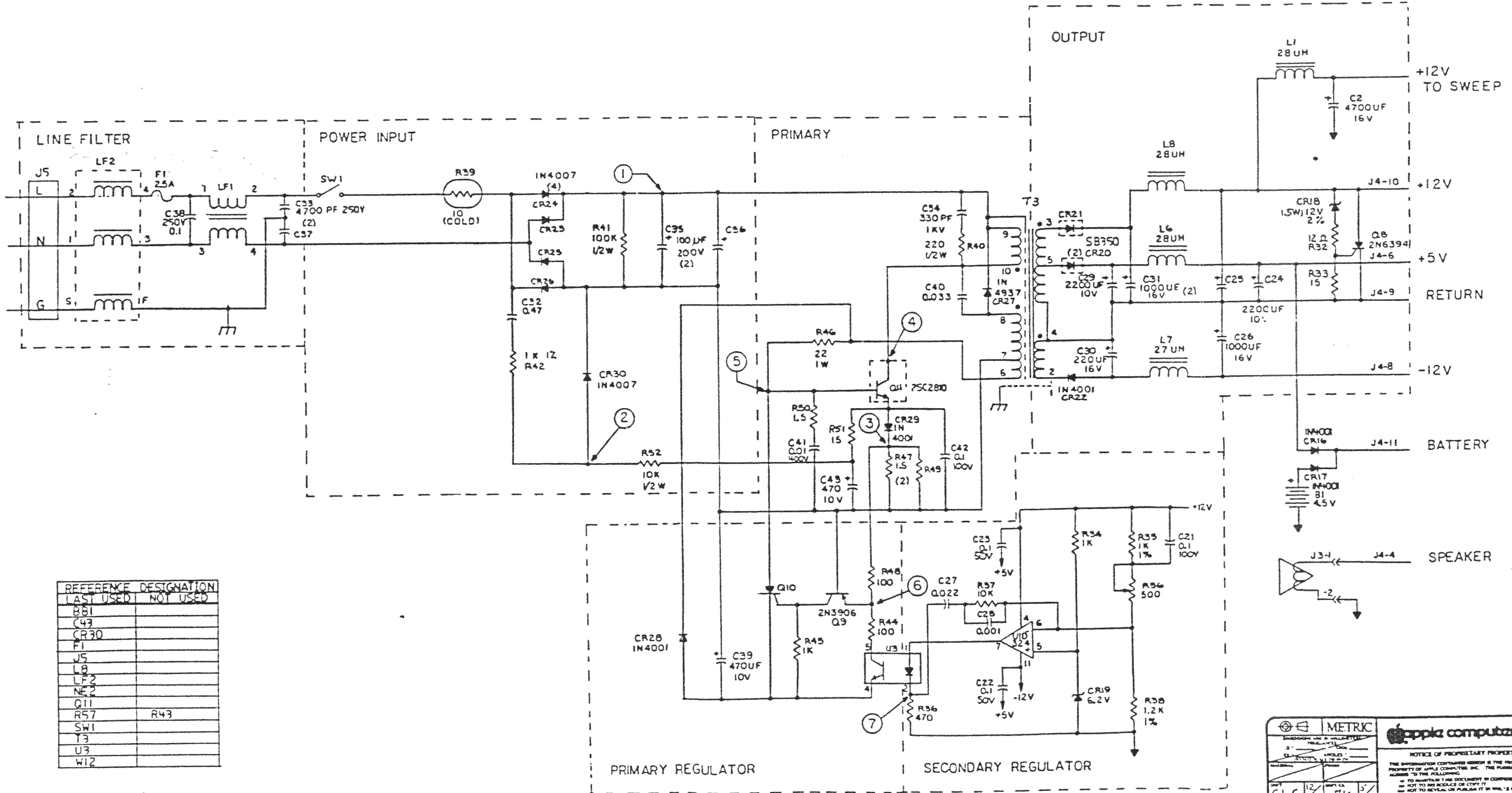


NOTE: UNLESS OTHERWISE SPECIFIED

ALL DIODES IN4150  
RESISTORS 1/4W 5%  
CAPACITANCE IN UF

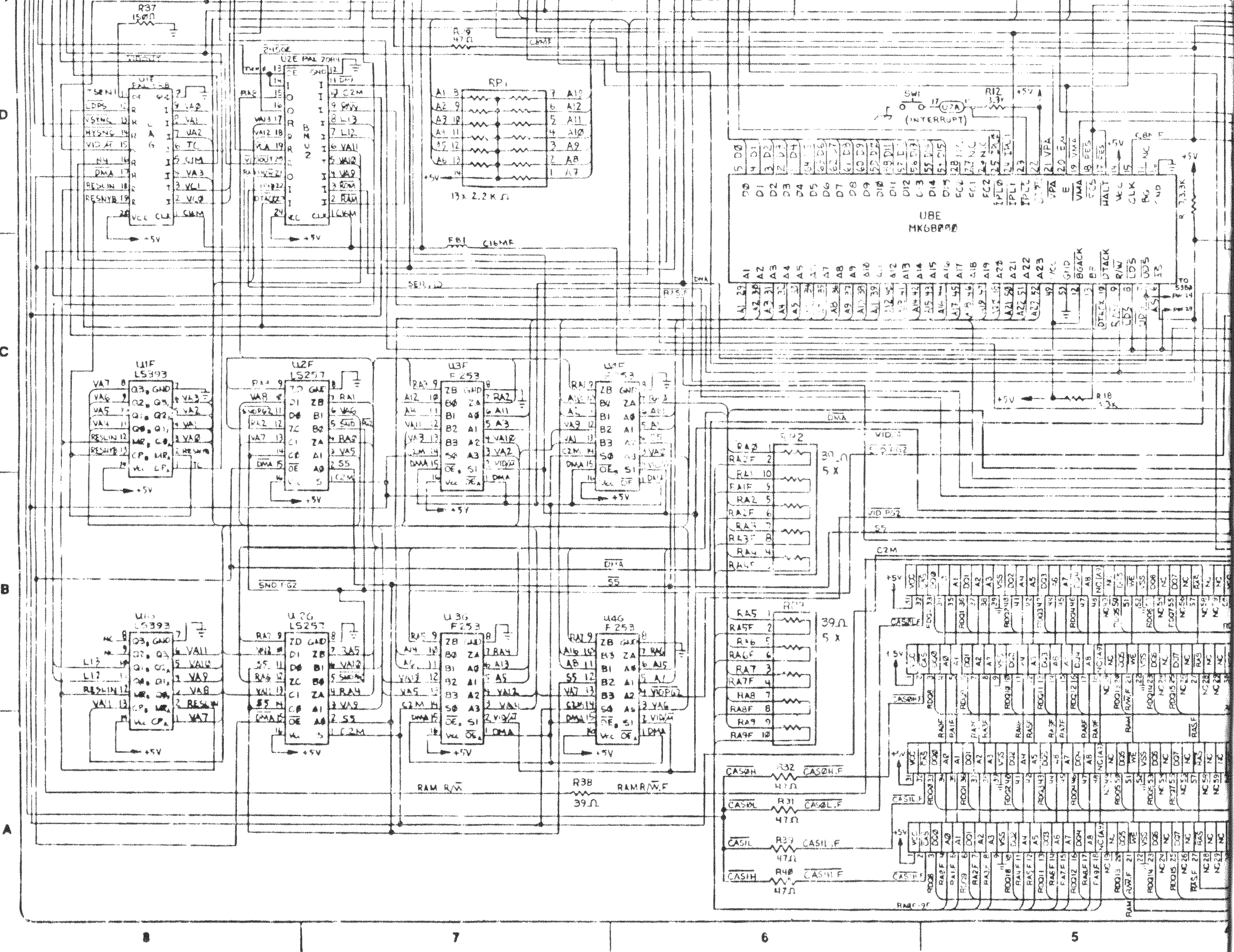
REV	ZONE	RCO #	REVISION	APPRO
A	MOSII		INITIAL RELEASE	
B	F084		SILKSCREEN FILM CHANGE	22c
C	F183		PAGE 2 - ADDED R53	22c

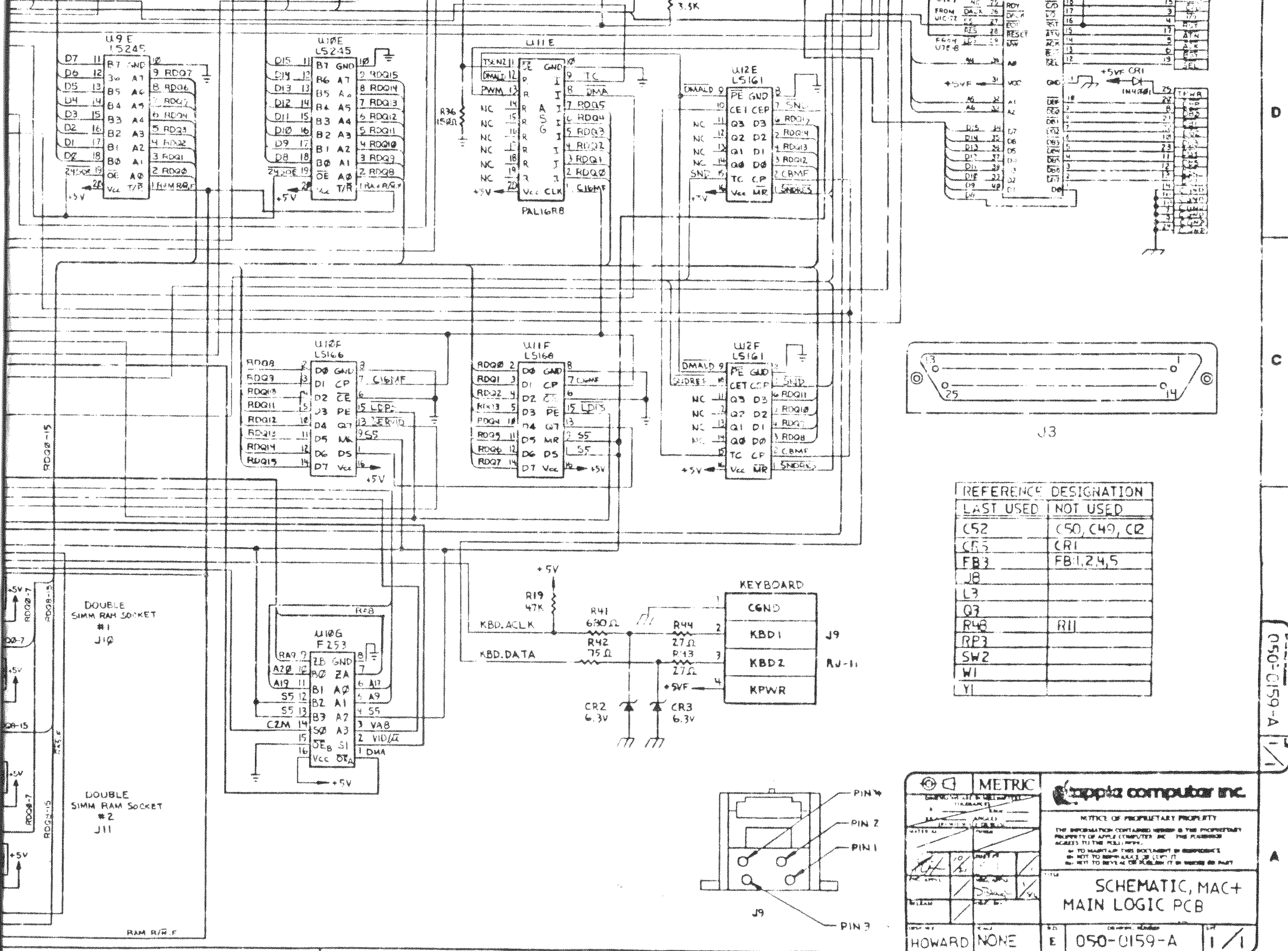


REFERENCE DESIGNATION	
LAST USED	NOT USED
BB1	
C43	
CR30	
F1	
J5	
L8	
LF2	
NE2	
Q11	
R57	R43
SW1	
T3	
U3	
W12	

METRIC		Apple Computer Inc.	
NOTICE OF PROPRIETARY PROPERTY			
THE INFORMATION CONTAINED HEREIN IS THE PROPRIETARY PROPERTY OF APPLE COMPUTER, INC. THE REPRODUCER HEREBY AGREES TO THE FOLLOWING:			
TO MAINTAIN THIS DOCUMENT IN CONFIDENCE			
NOT TO REPRODUCE OR COPY IT			
NOT TO REVISE OR PUBLISH IT IN WHOLE OR IN PART			
DATE	BY	DATE	BY
GLC 12/22	JLC 5/81		
APPROVED	DATE	APPROVED	DATE
JJ	5/13	MAC	5/11
TITLE		SCHEMATIC, SWEEP/POWER SUPPLY	
DATE	ISSUE	DATE	ISSUE
GLC		D	050-0074-C
		1/3	

050-0074-C 1/3



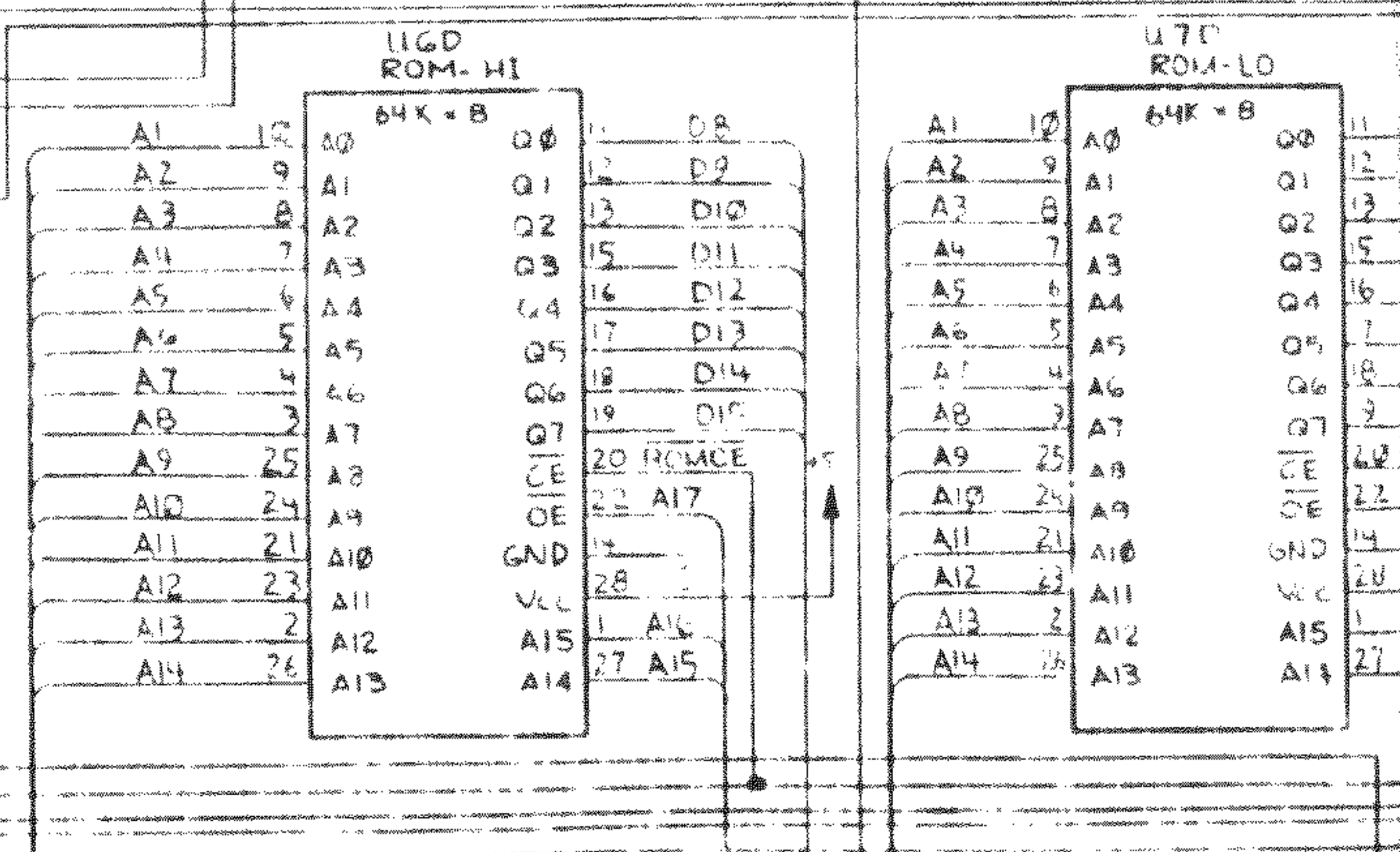
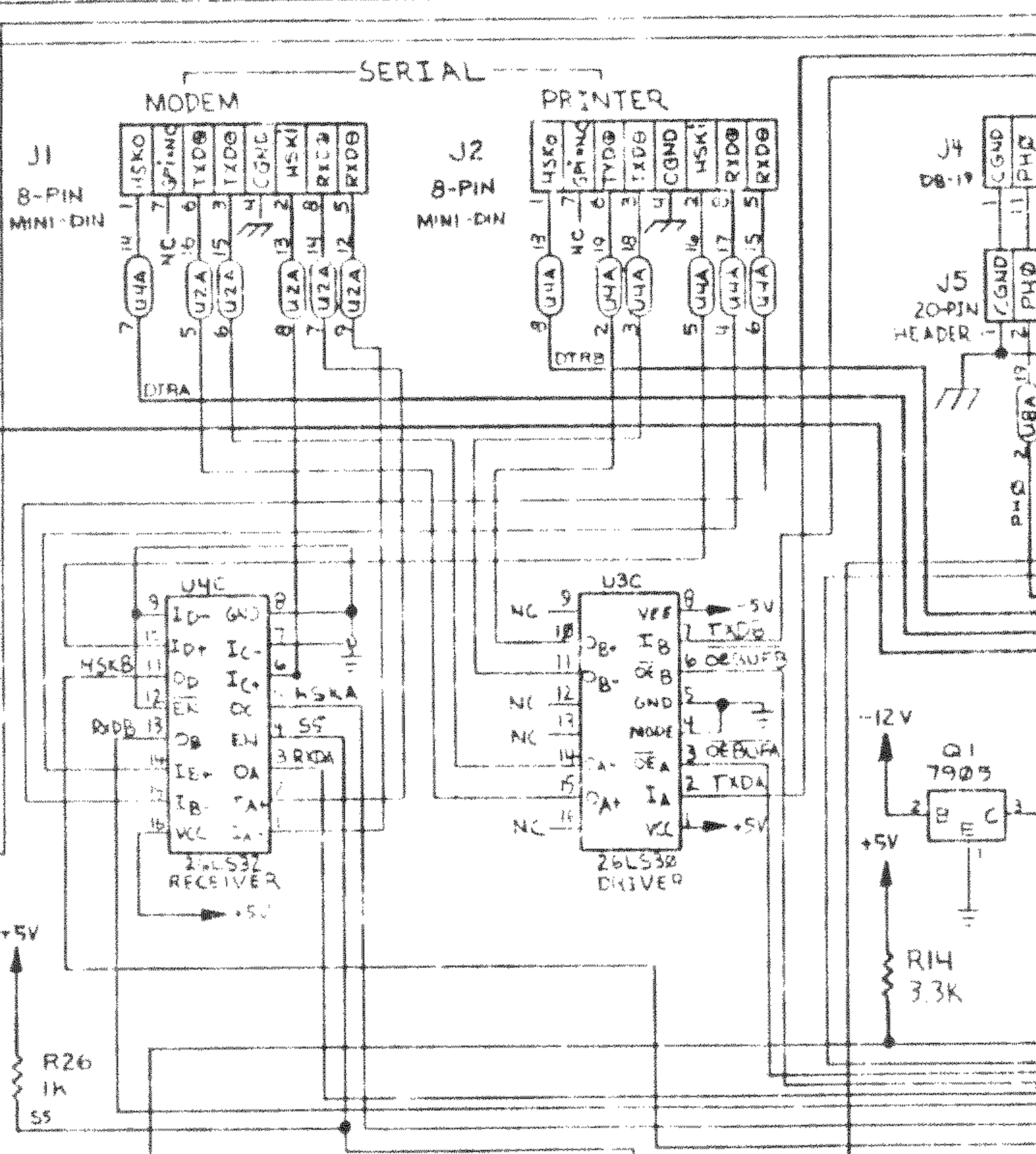
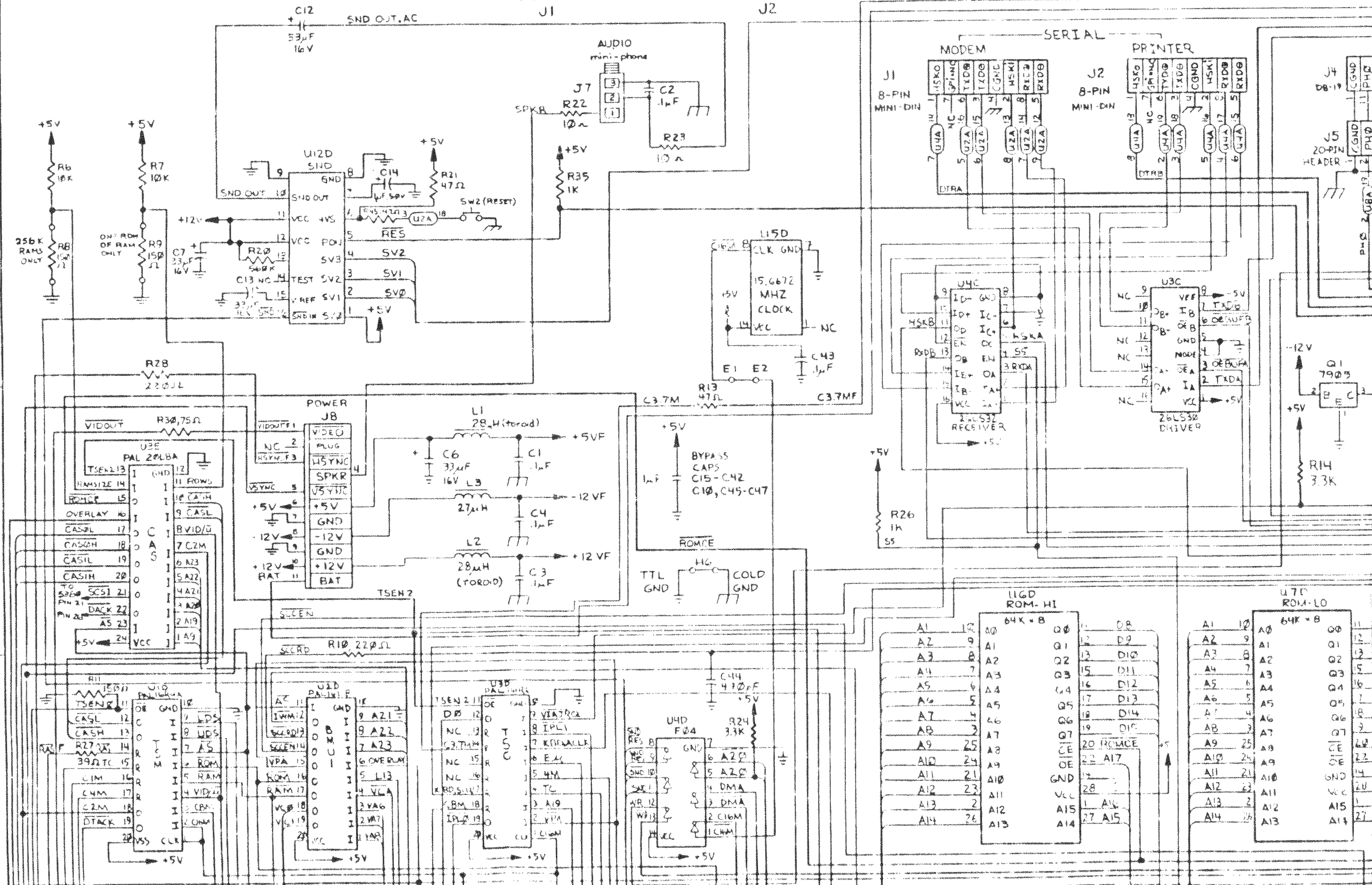
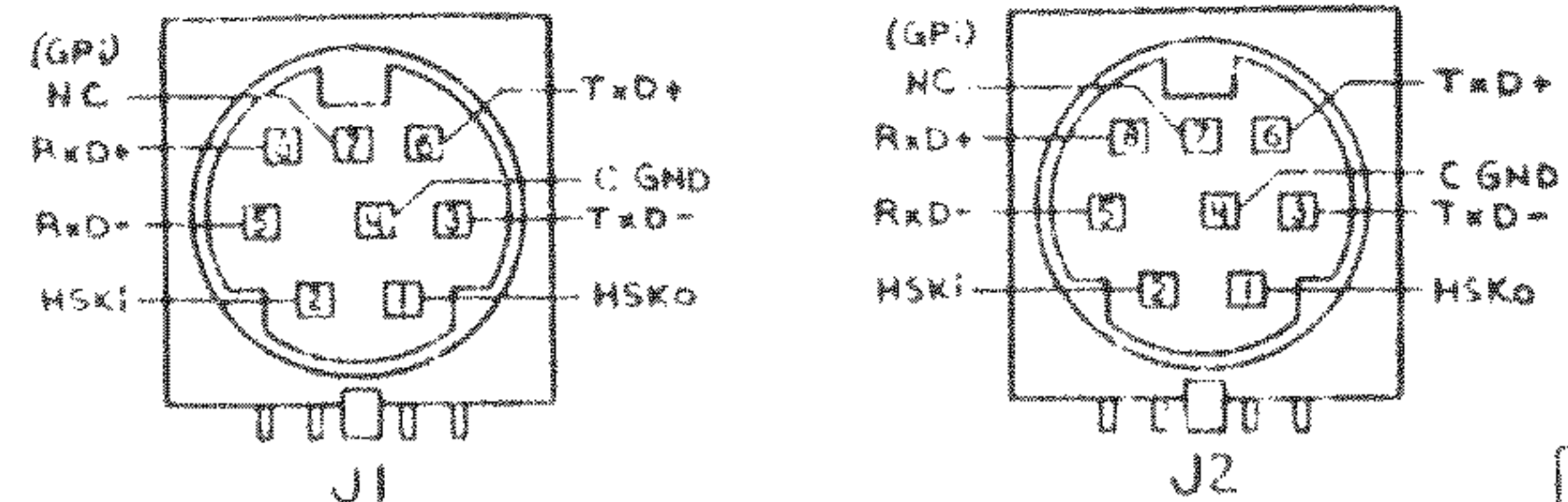


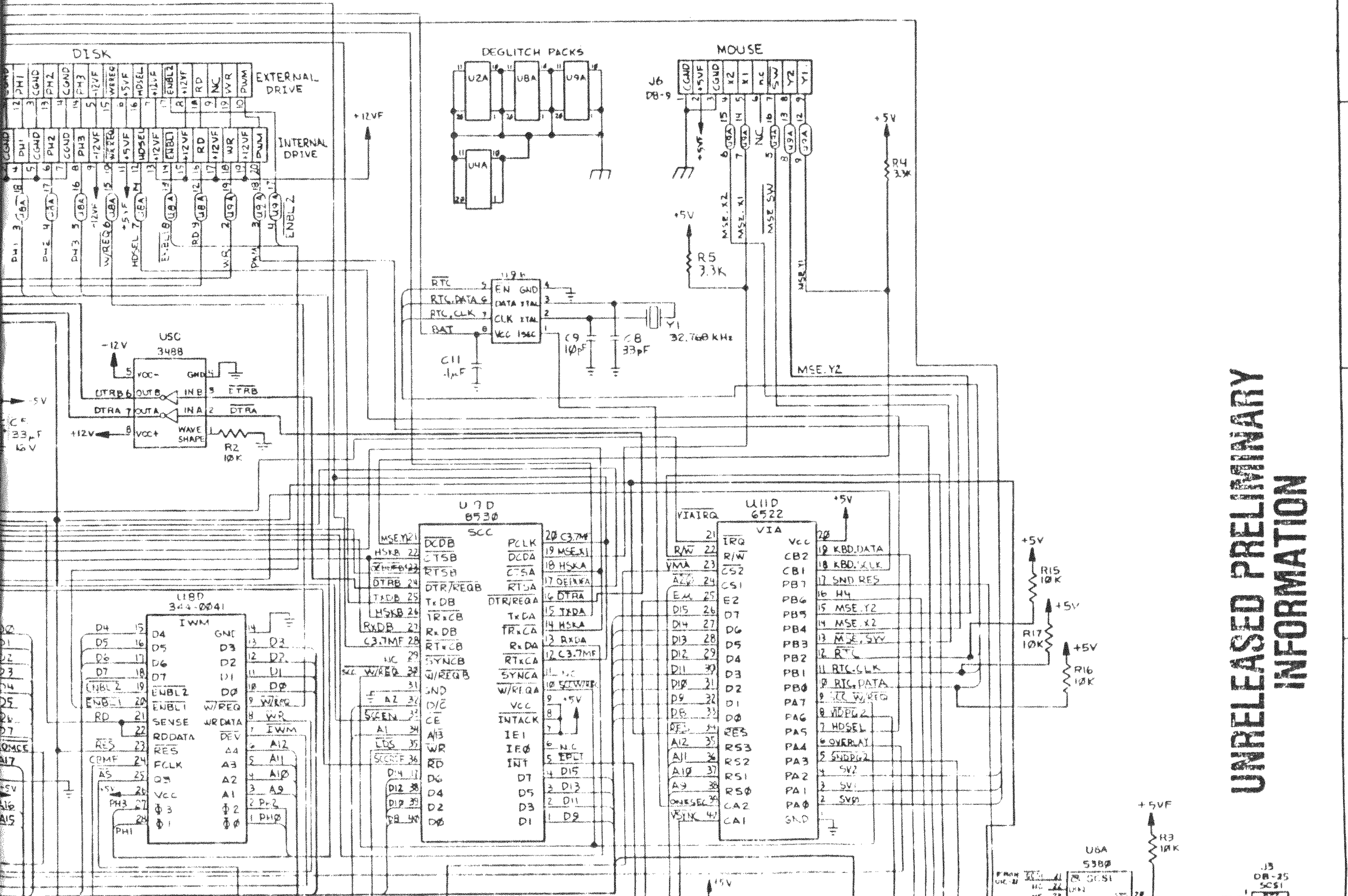
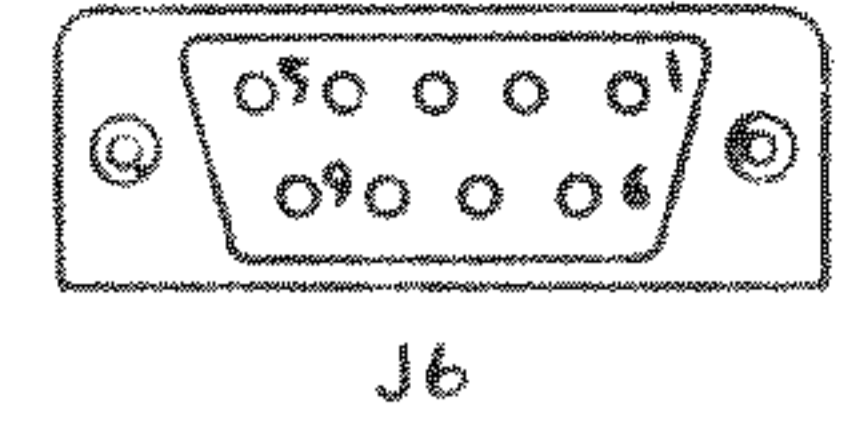
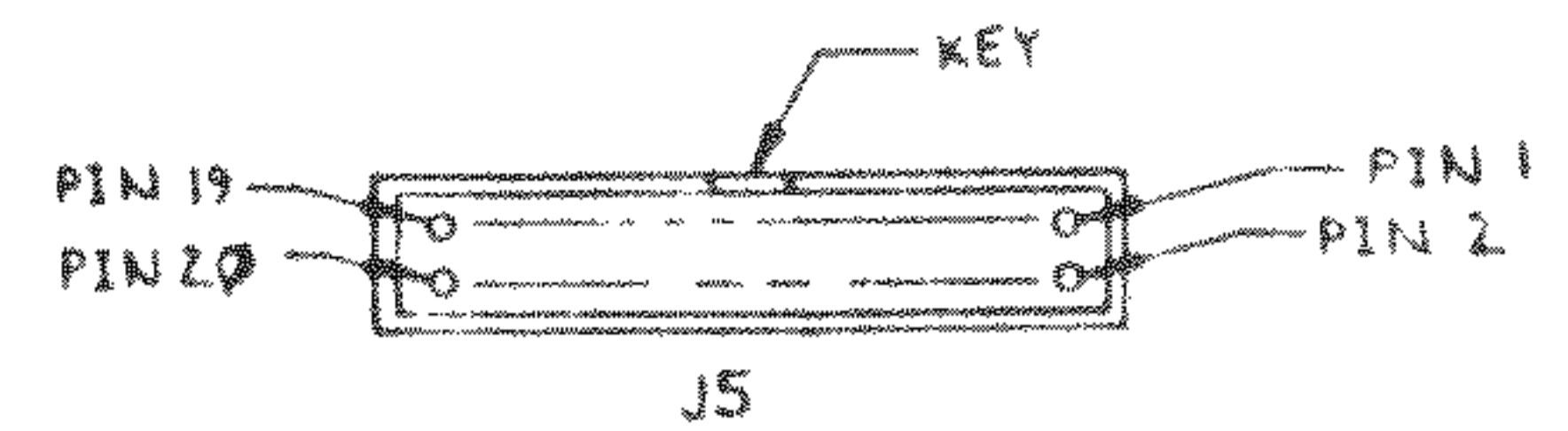
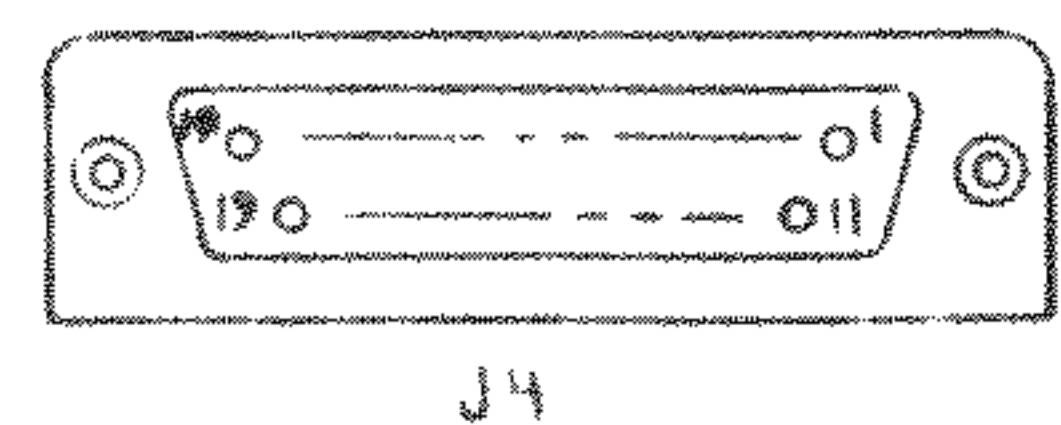
REFERENCE DESIGNATION	
LAST USED	NOT USED
C52	C50, C49, C2
C55	CRI
FB3	FB1, 2, 4, 5
JB	
L3	
Q3	
R48	RII
RP3	
SW2	
WI	
YI	

NOTICE OF PROPRIETARY PROPERTY THE INFORMATION CONTAINED HEREIN IS THE PROPRIETARY PROPERTY OF APPLE COMPUTER, INC. THE REPRODUCTION OR ACCESS TO THE REPRODUCTION IS TO BE LIMITED TO THE EXTENT OF THE PROPRIETARY RIGHTS OF APPLE COMPUTER, INC.			
<b>SCHEMATIC, MAC+ MAIN LOGIC PCB</b>			
DATE: _____ BY: _____ CHECKED: _____ APPROVED: _____	NAME: _____ TITLE: _____	PART NO: _____ REV: _____	QTY: _____ UNIT: _____
HOWARD	NONE	E	050-0159-A 1/1

050-0159-A 1/1

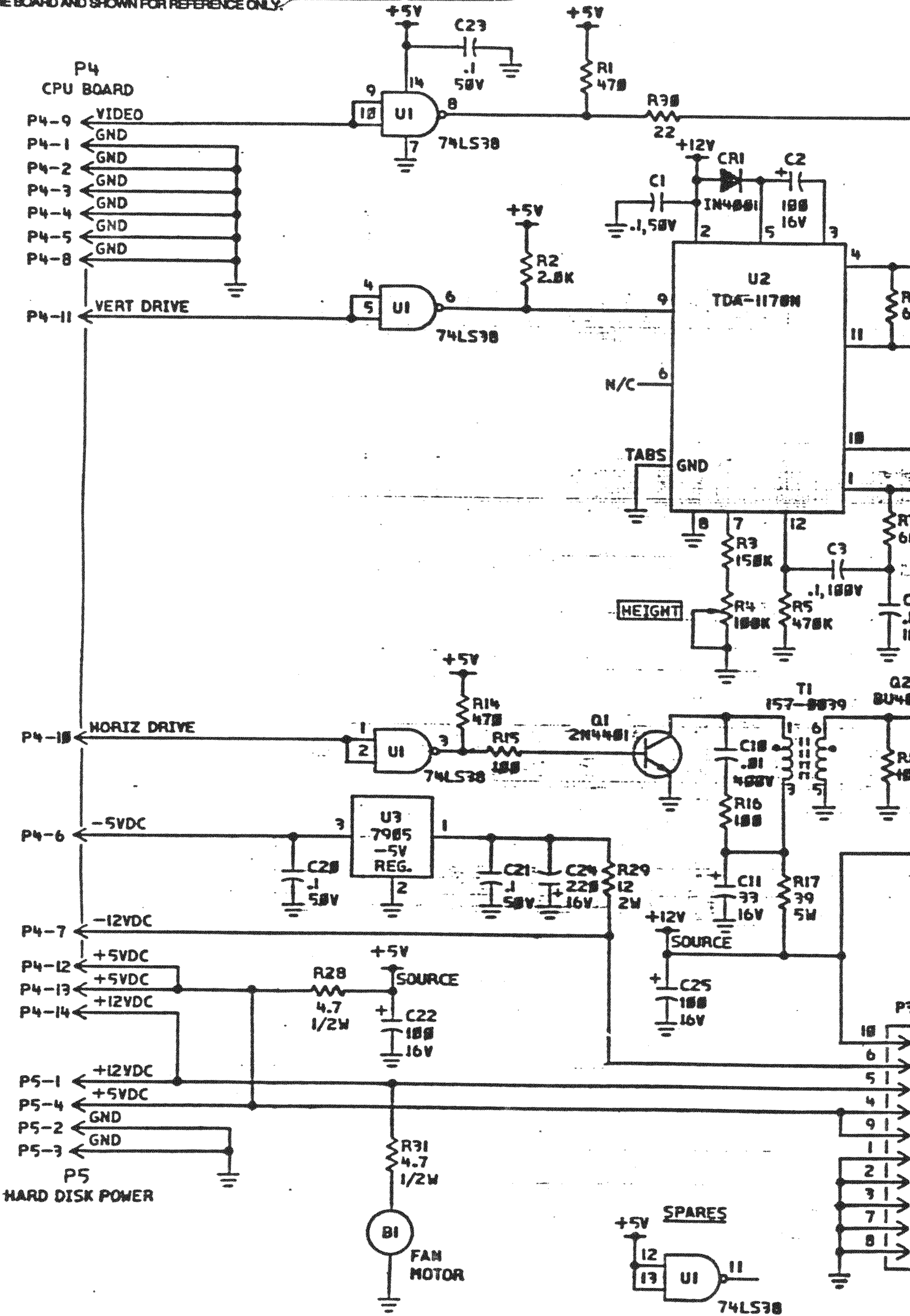
NOTE: UNLESS OTHERWISE SPECIFIED



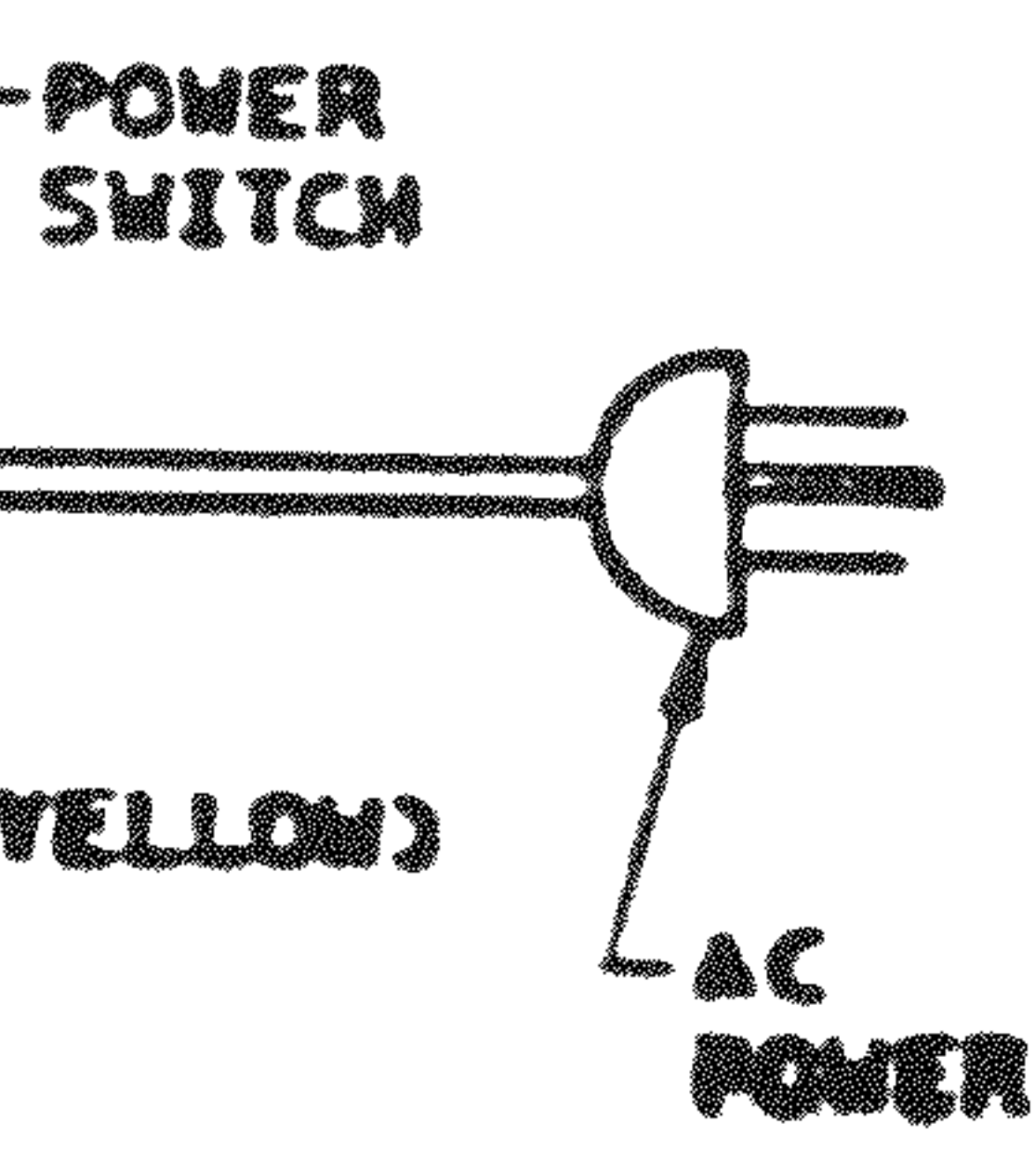
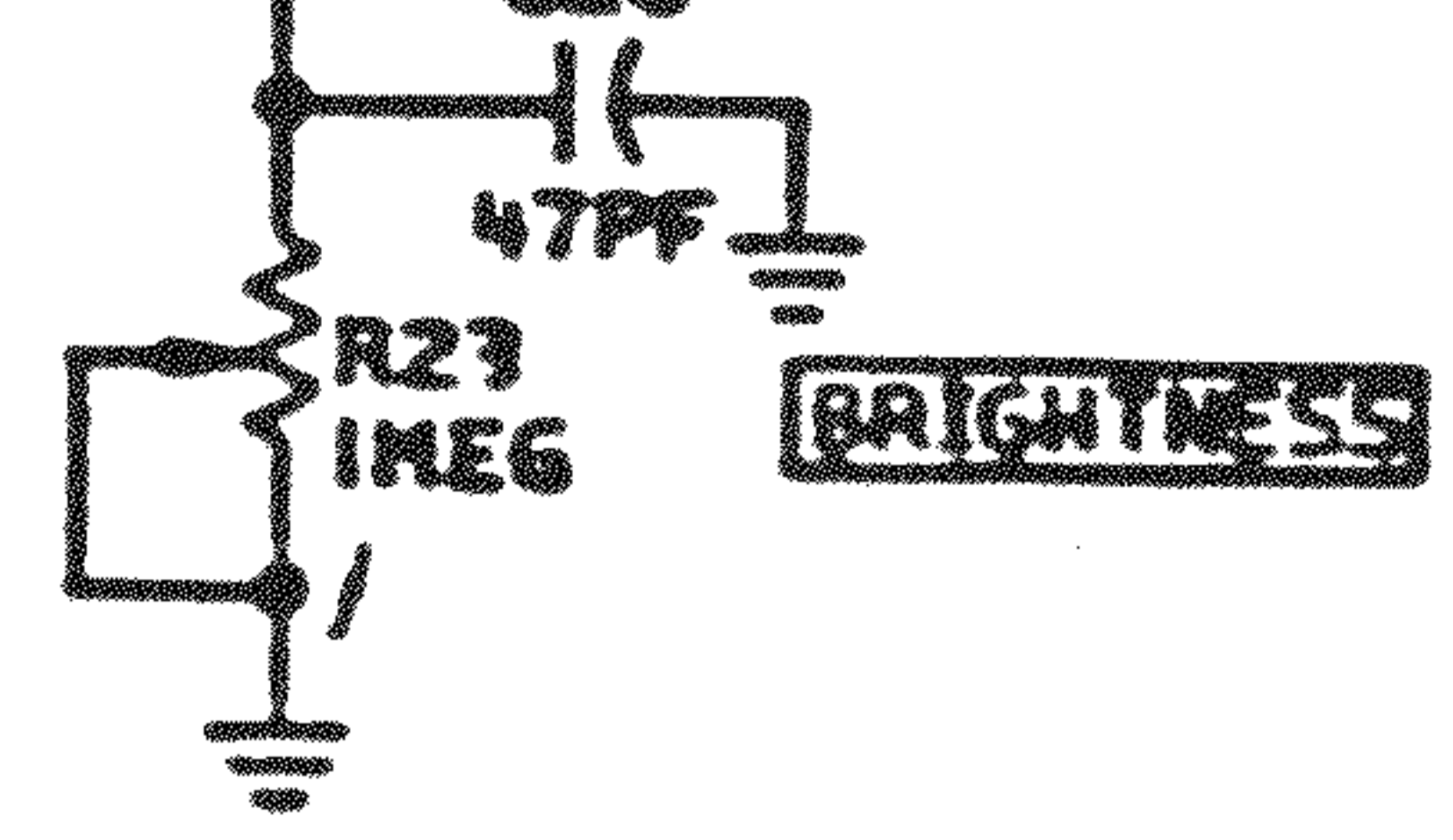
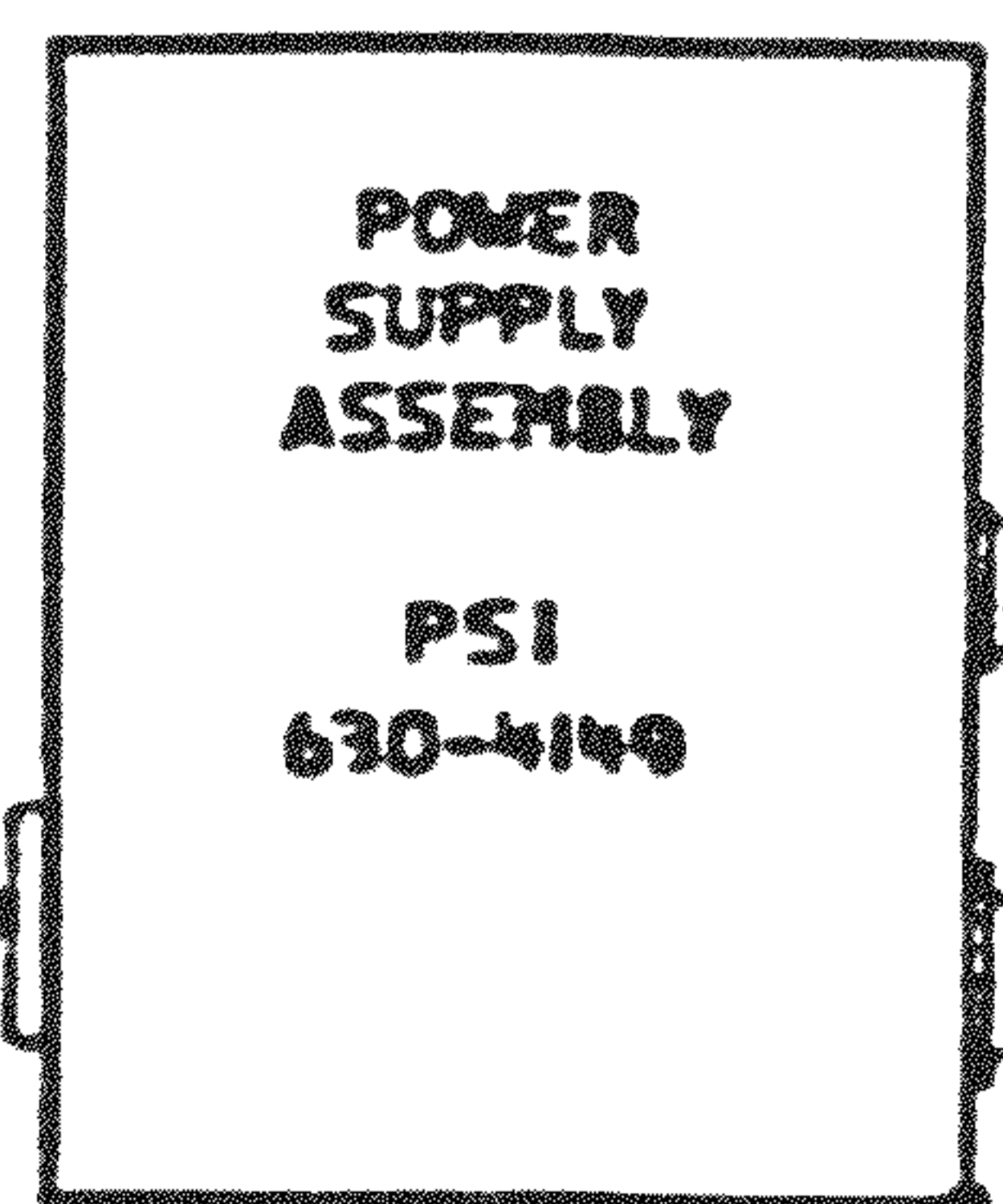
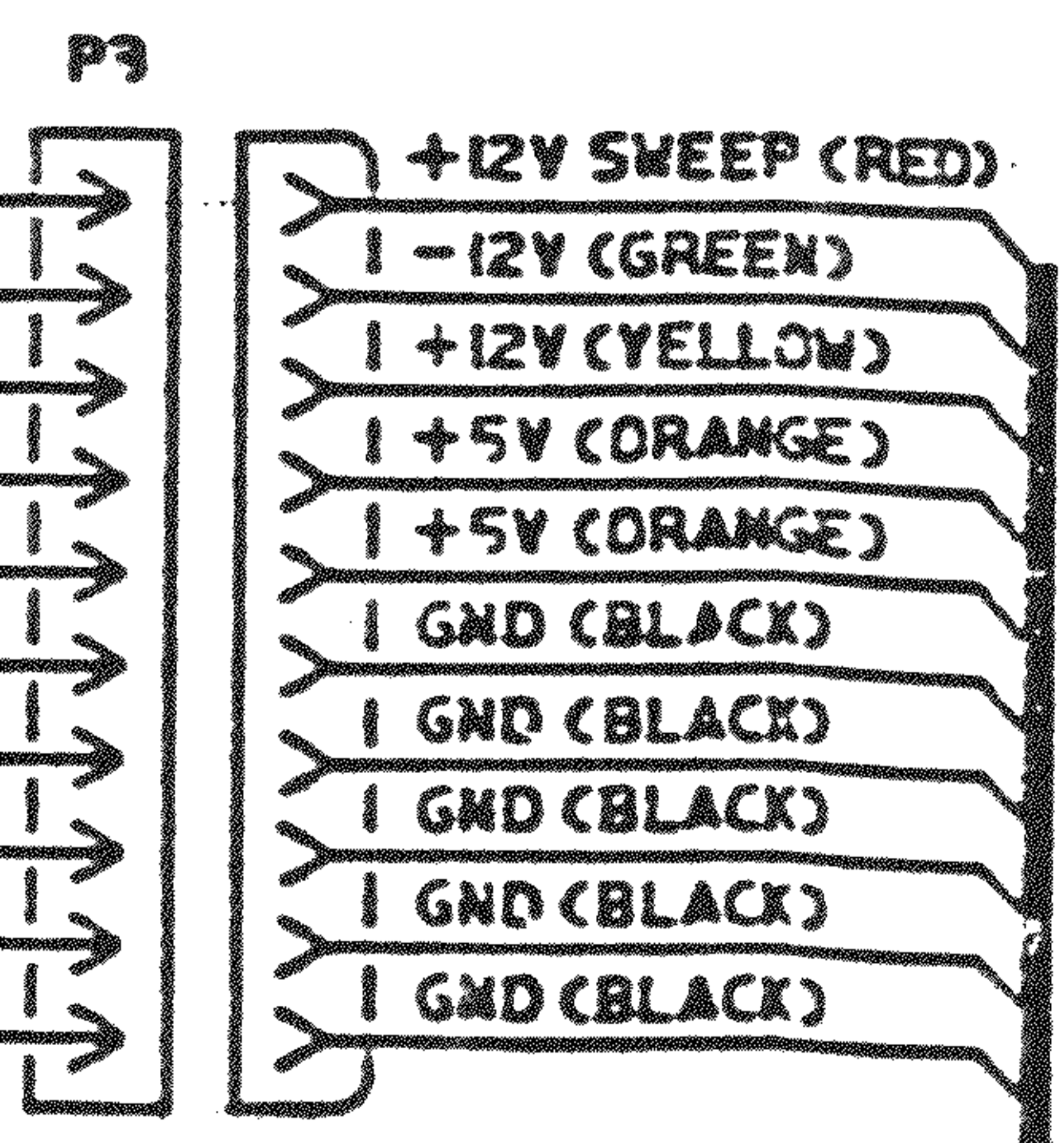
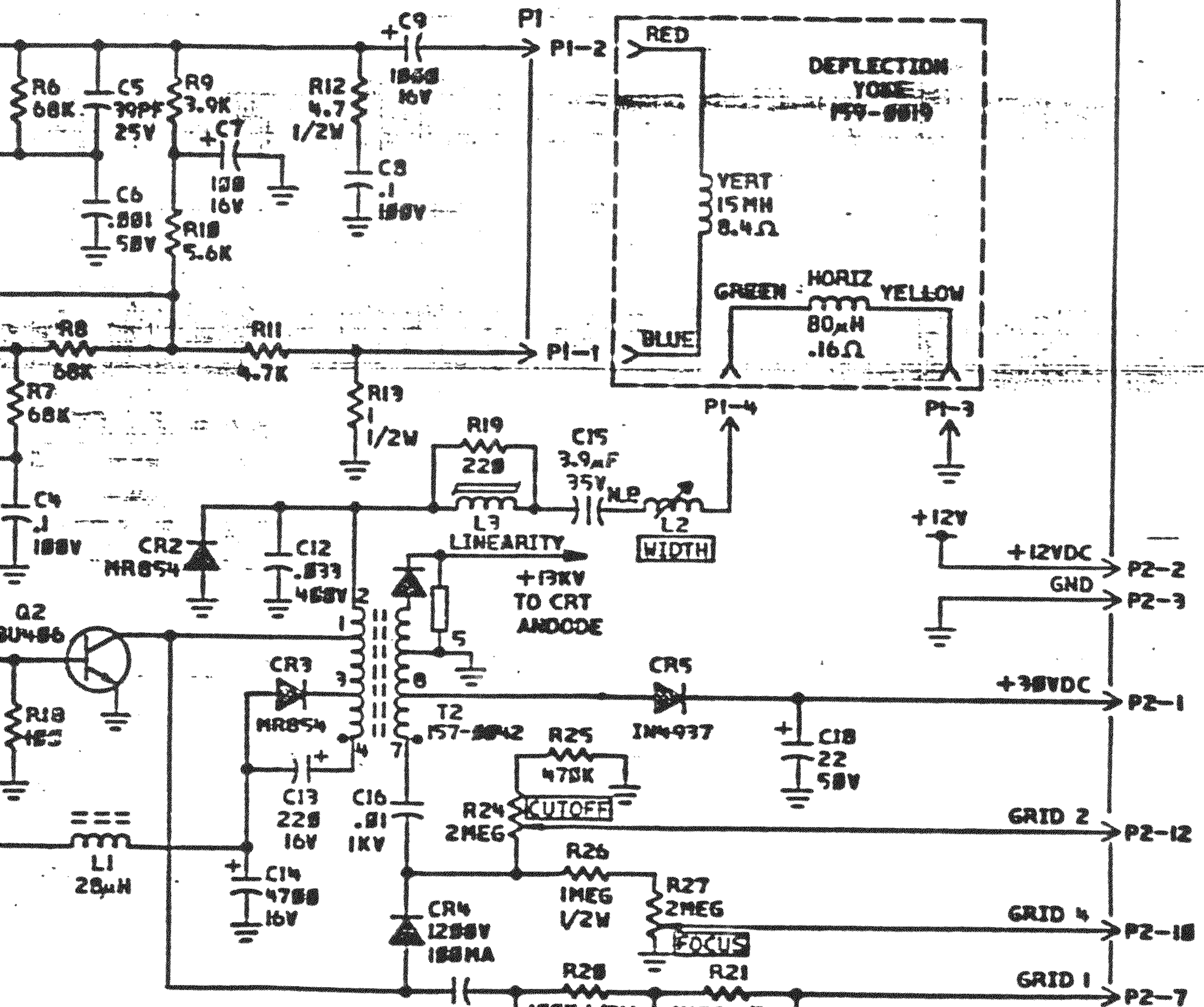


UNRELEASED PRELIMINARY INFORMATION

3. ITEMS SHOWN WITHIN DASHED LINES ARE LOCATED OFF THE BOARD AND SHOWN FOR REFERENCE ONLY.

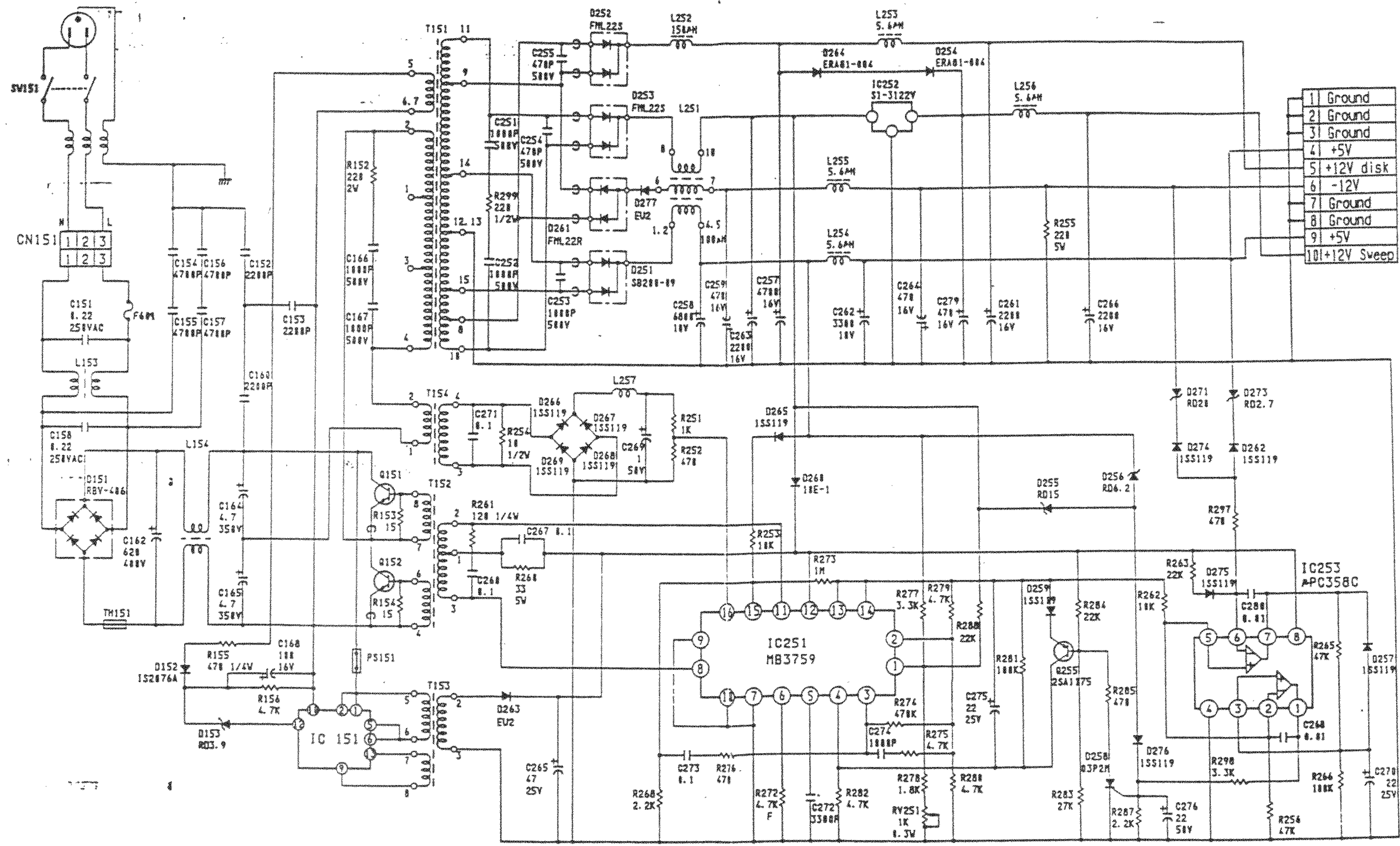


P2  
VIDEO BOARD  
VIDEO → PZ-8



SE 30  
Analog Board

REVISIONS	
REV. NO.	DESCRIPTION



1	Ground
2	Ground
3	Ground
4	+5V
5	+12V disk
6	-12V
7	Ground
8	Ground
9	+5V
10	+12V Sweep

\* All capacitors are in  $\mu$ F.  
 50W unless otherwise noted  
 \* All resistors are in ohms.  
 1/6W unless otherwise noted.

DATE	DESIGNED BY	CHECKED BY	APPROVED BY	SCALE	REVISED
REVISION				PART NO.	
CR-44 回路図				SHEET	
				1	

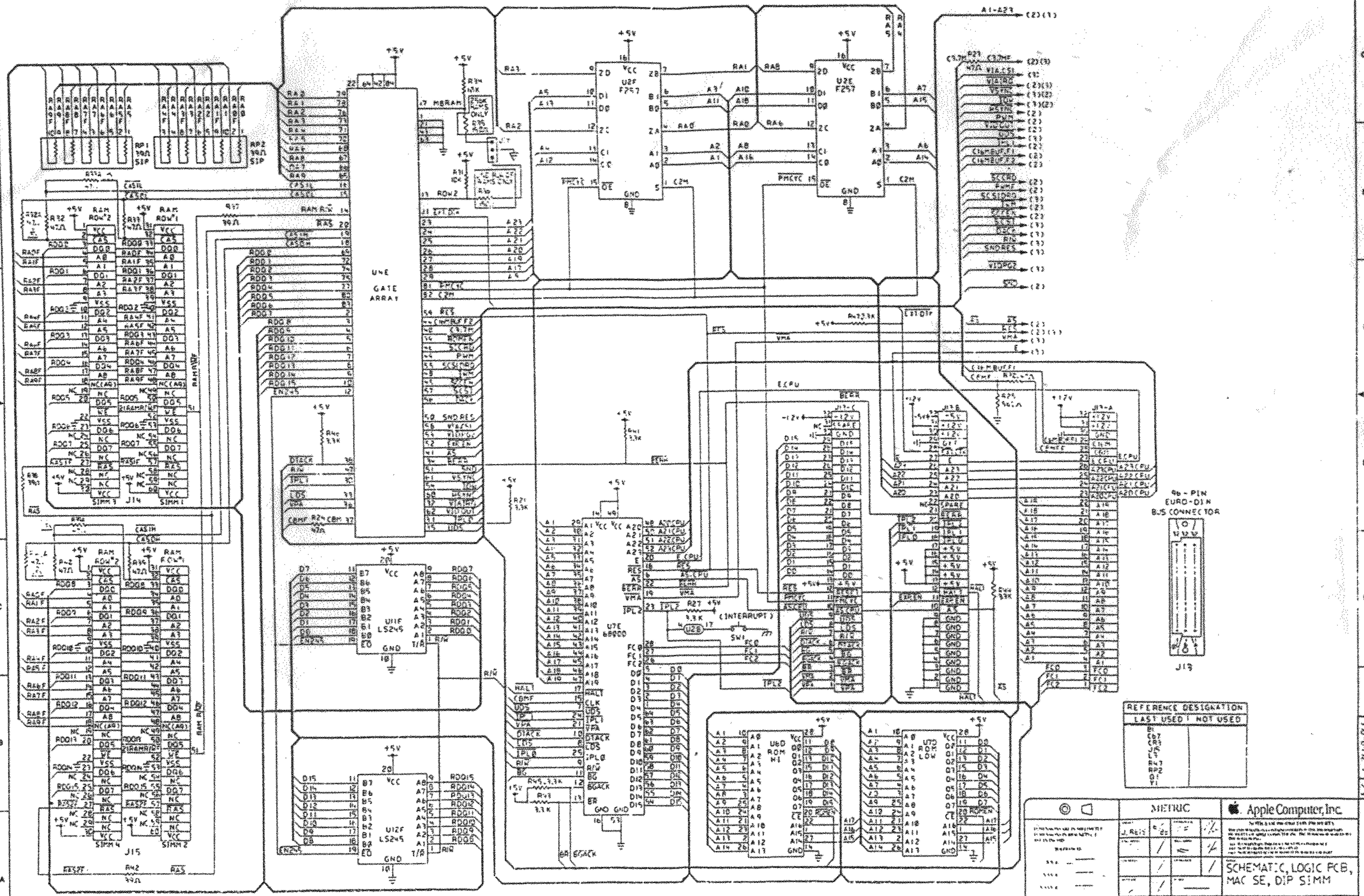
SCALE: 1:1  
 DRAWING: (TYPE G2)  
 SHEET: 11 OF 18  
 STANDARD: (TYPE G2)  
 SHEET: 11 OF 18  
 A2



NOTE: UNLESS OTHERWISE SPECIFIED

1. ALL RESISTANCE VALUES ARE IN OHMS, 1.0W, 5%.
  2. ALL CAPACITANCE VALUES ARE IN MICROFARADS.
  3. COMPONENT NOT INSERTED.
  4. J16: P/N 515-0250 (2 POSITION, 2 PIN HEADER JUMPER).
- WHEN USING THE DIP SIMM OPTION: DO NOT ASSEMBLE R33, R33L, R37 OR R40. ASSEMBLE R32A, R33A, R39A, R40A AND R42.
- LA: FERRITE BEAD.

REV	DATE	DESCRIPTION	APP'D	CHK'D
A	1978	PRODUCTION RELEASE		
B	1982	REVISED PER ECU		



REFERENCE DESIGNATION  
LAST USED | NOT USED

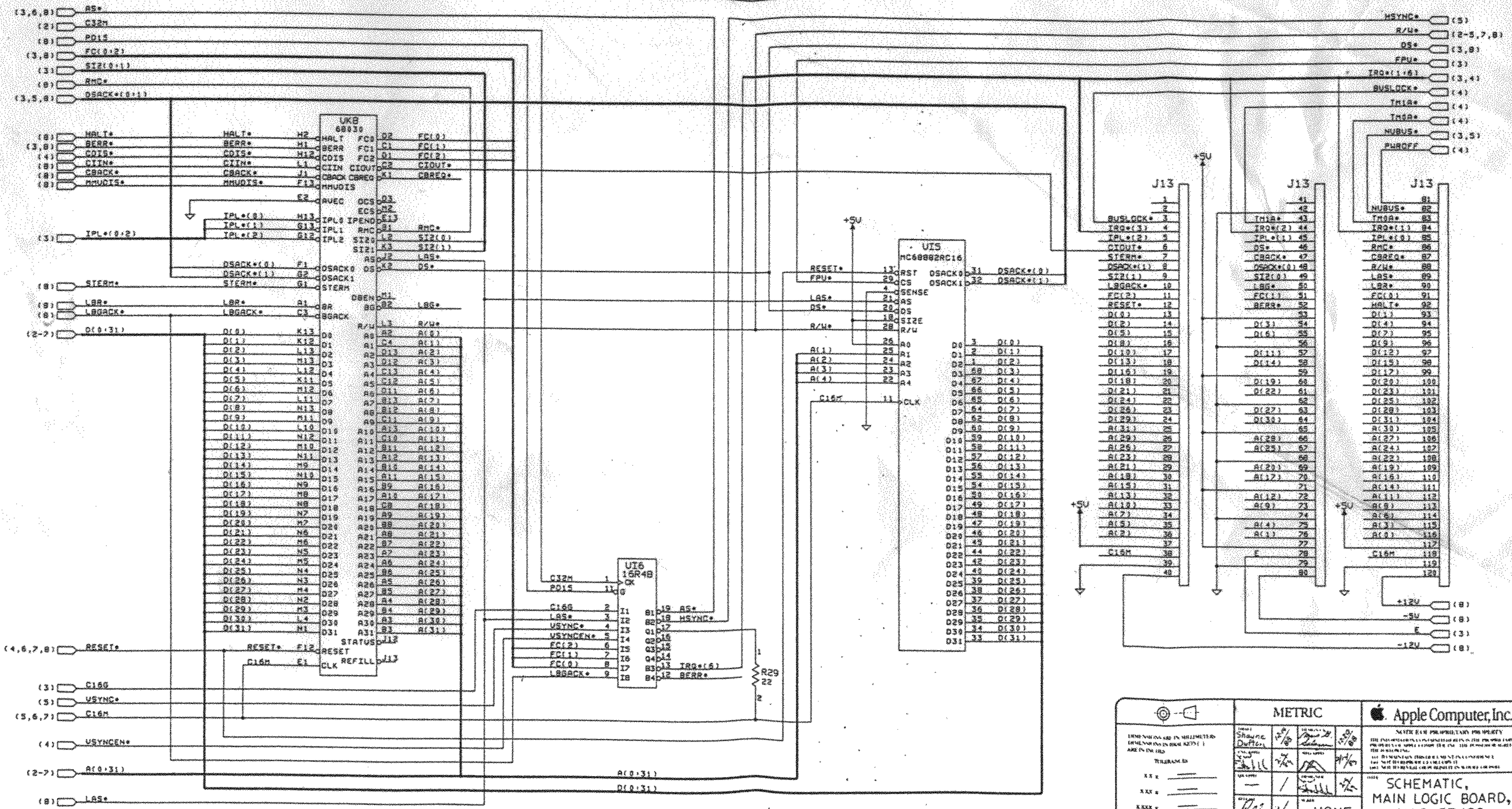
R1	
R2	
R3	
R4	
R5	
R6	
R7	
R8	
R9	
R10	

METRIC		Apple Computer, Inc.	
DATE	REV	DESCRIPTION	APP'D
1978	1	SCHEMATIC LOGIC PCB, MAC SE, DIP SIMM	
1982	2	REVISED PER ECU	
PART NUMBER		050-0432-B	

NOTE: UNLESS OTHERWISE SPECIFIED

1. ALL RESISTANCE VALUES ARE IN OHMS, +/- 5%, 1/8 WATT.
2. ALL CAPACITANCE VALUES ARE IN MICROFARADS.
3. ( ) DENOTES SHEET TO SHEET REFERENCES.
4. COLD & HOT GROUND ARE CONNECTED TOGETHER AT TWO LOCATIONS, NEAR THE 808 CONNECTORS AND AT THE SOUND CIRCUIT.

CPU (68030)  
FPU (68881/68882)



	METRIC			
	LENGTH SURFACE VOLUME ANGLE			
TOLERANCE DIMENSIONS ANGLES				NONE
DO NOT SCALE DRAWING	MATERIALS USED NOTED ON APPENDIX	D	050-0253-01	

ROM  
RAM ADDRESS MUXES

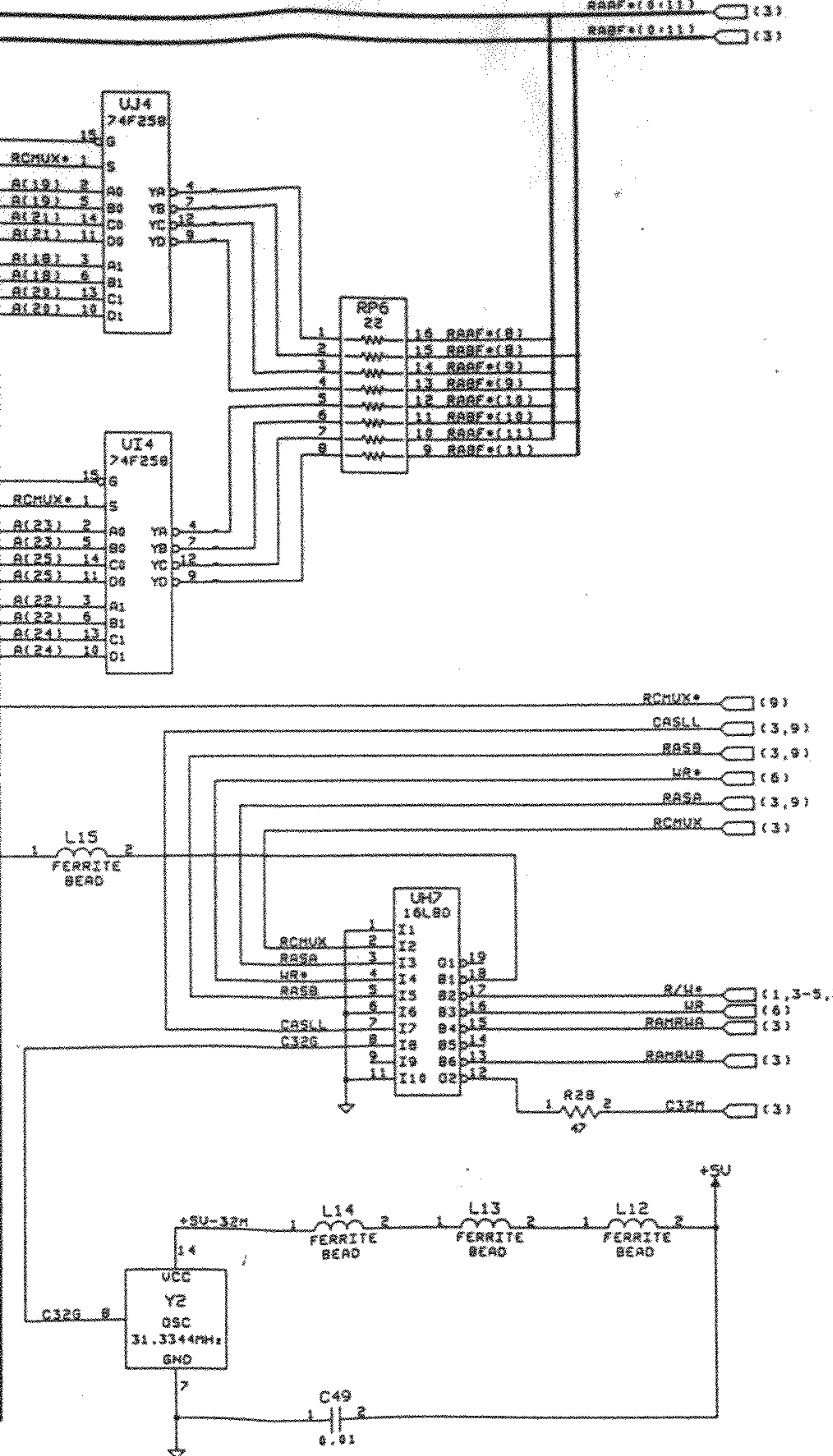
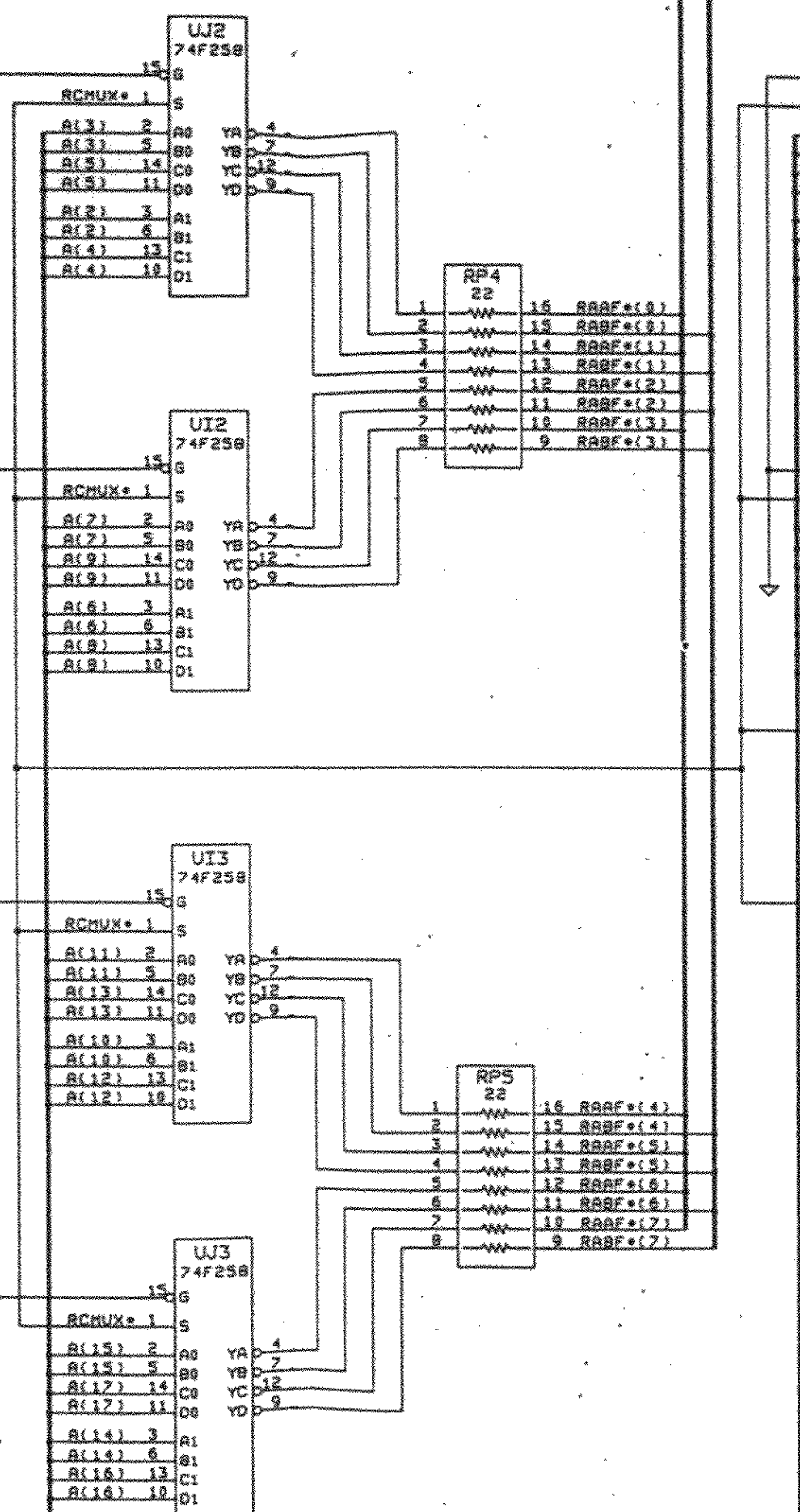
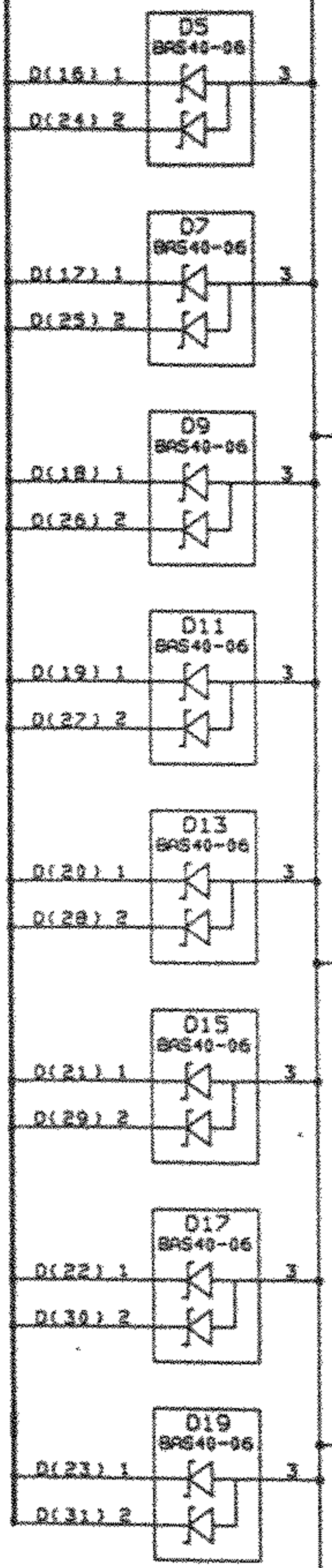
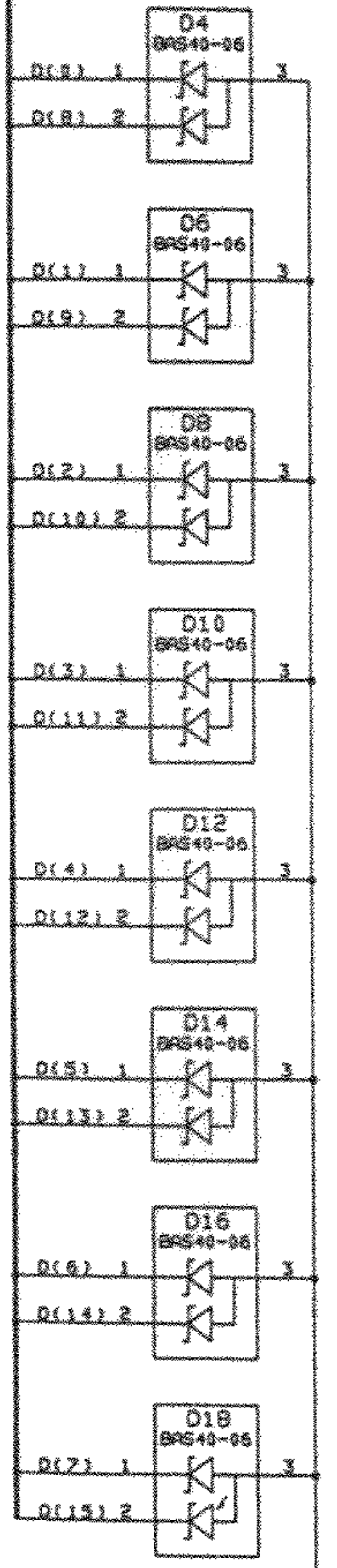
(1,3-7) D(0:31)

+5V

ROMSINH1

A(2)	4
A(3)	5
A(4)	6
A(5)	7
A(6)	8
A(7)	9
ROM*	11
ROM*	12
ROM*	13
D(0)	14
D(1)	15
D(2)	16
D(3)	17
D(4)	18
D(5)	19
D(6)	20
D(7)	21
D(8)	22
D(9)	23
D(10)	24
D(11)	25
D(12)	26
D(13)	27
D(14)	28
D(15)	29
D(16)	30
A(8)	31
A(9)	32
A(10)	33
A(11)	34
A(12)	35
A(13)	36
A(14)	37
A(15)	38
A(16)	39
A(17)	40
A(18)	41
A(19)	42
A(20)	43
A(21)	44
A(22)	45
D(16)	47
D(17)	48
D(18)	49
D(19)	50
D(20)	51
D(21)	52
D(22)	53
D(23)	54
D(24)	55
D(25)	56
D(26)	57
D(27)	58
D(28)	59
D(29)	60
D(30)	61
D(31)	62
D(31)	63
D(31)	64

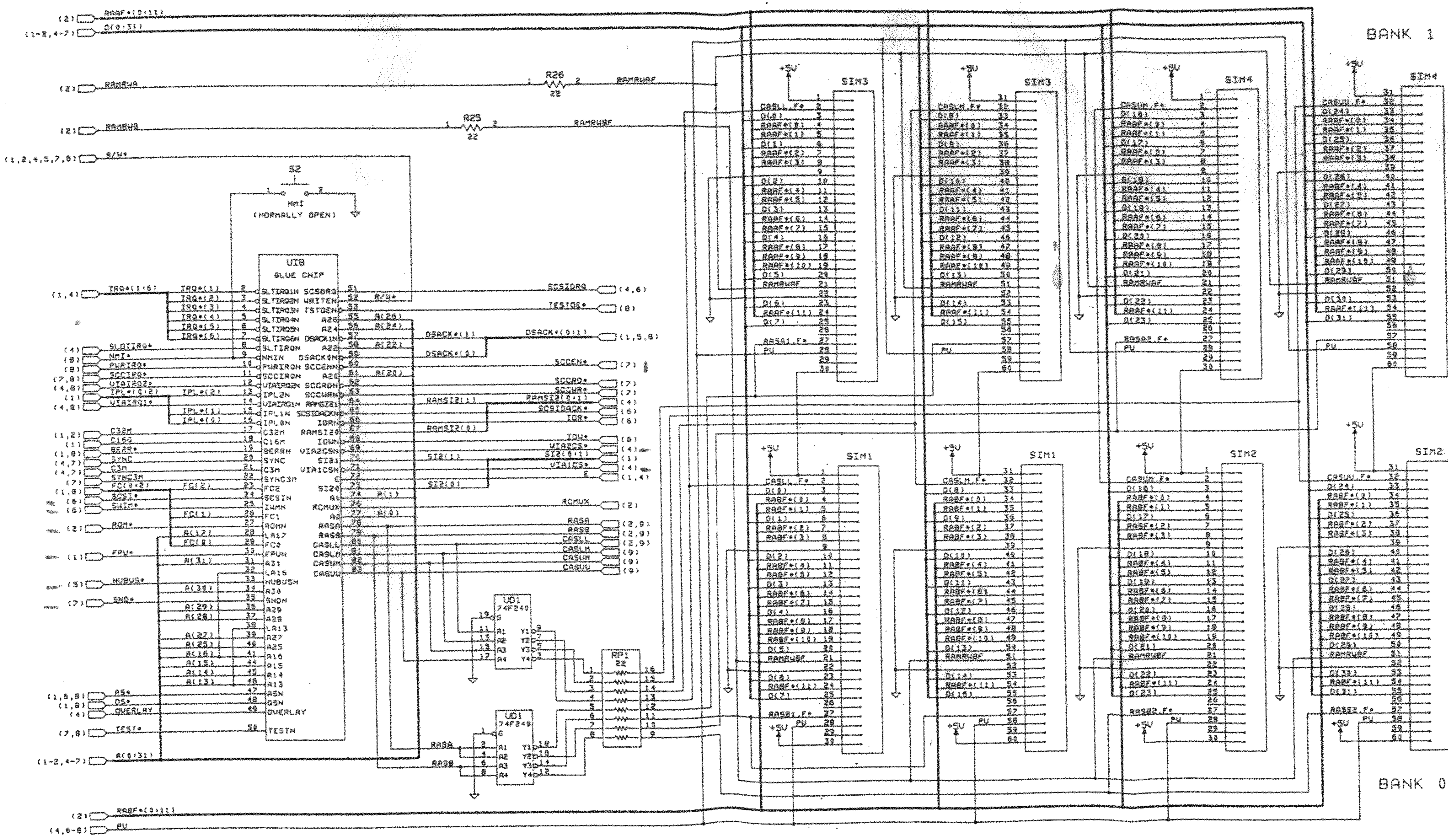
(1,3-7) A(0:31)



GLUECHIP  
RAM SIMM'S

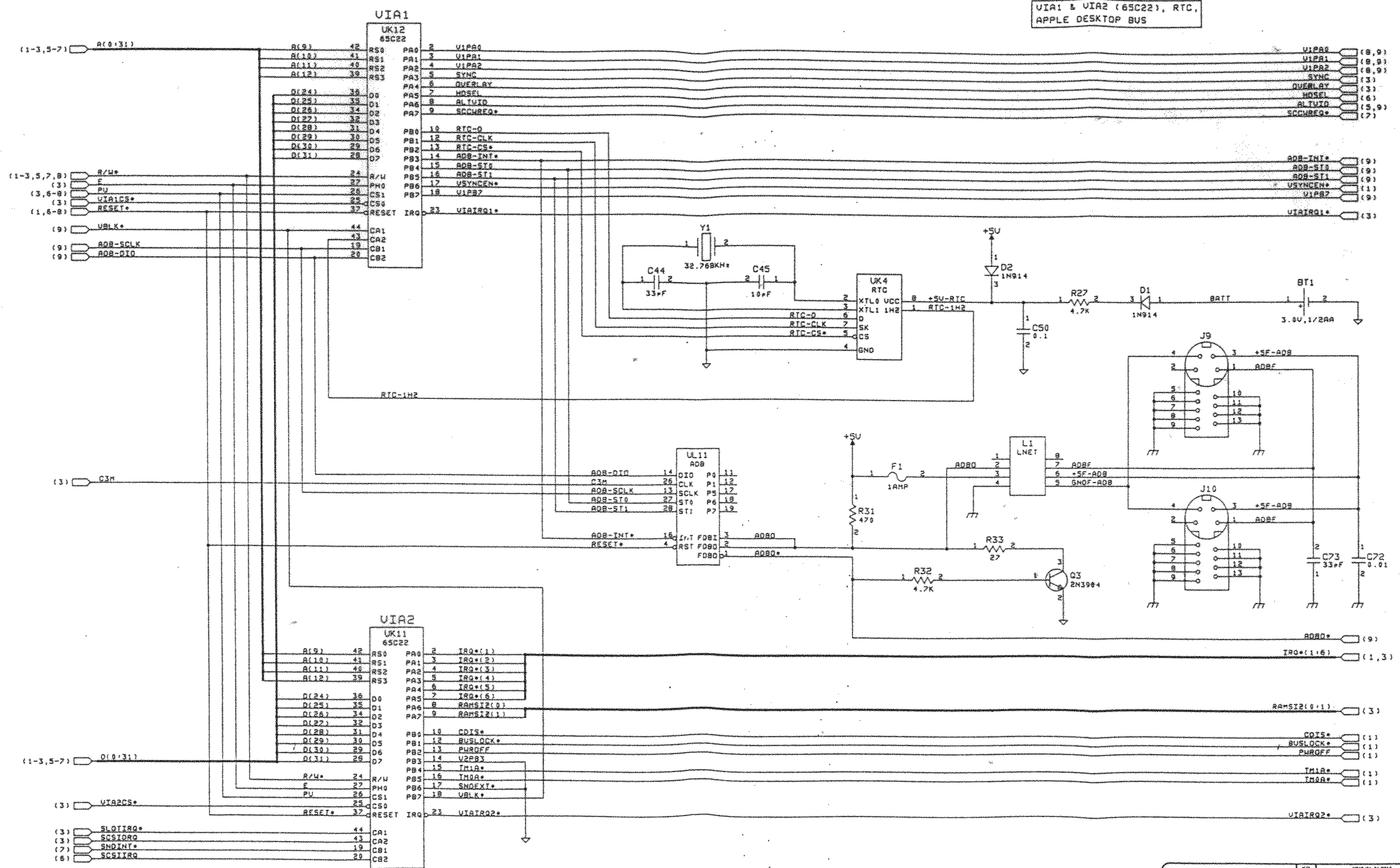
BANK 1

BANK 0

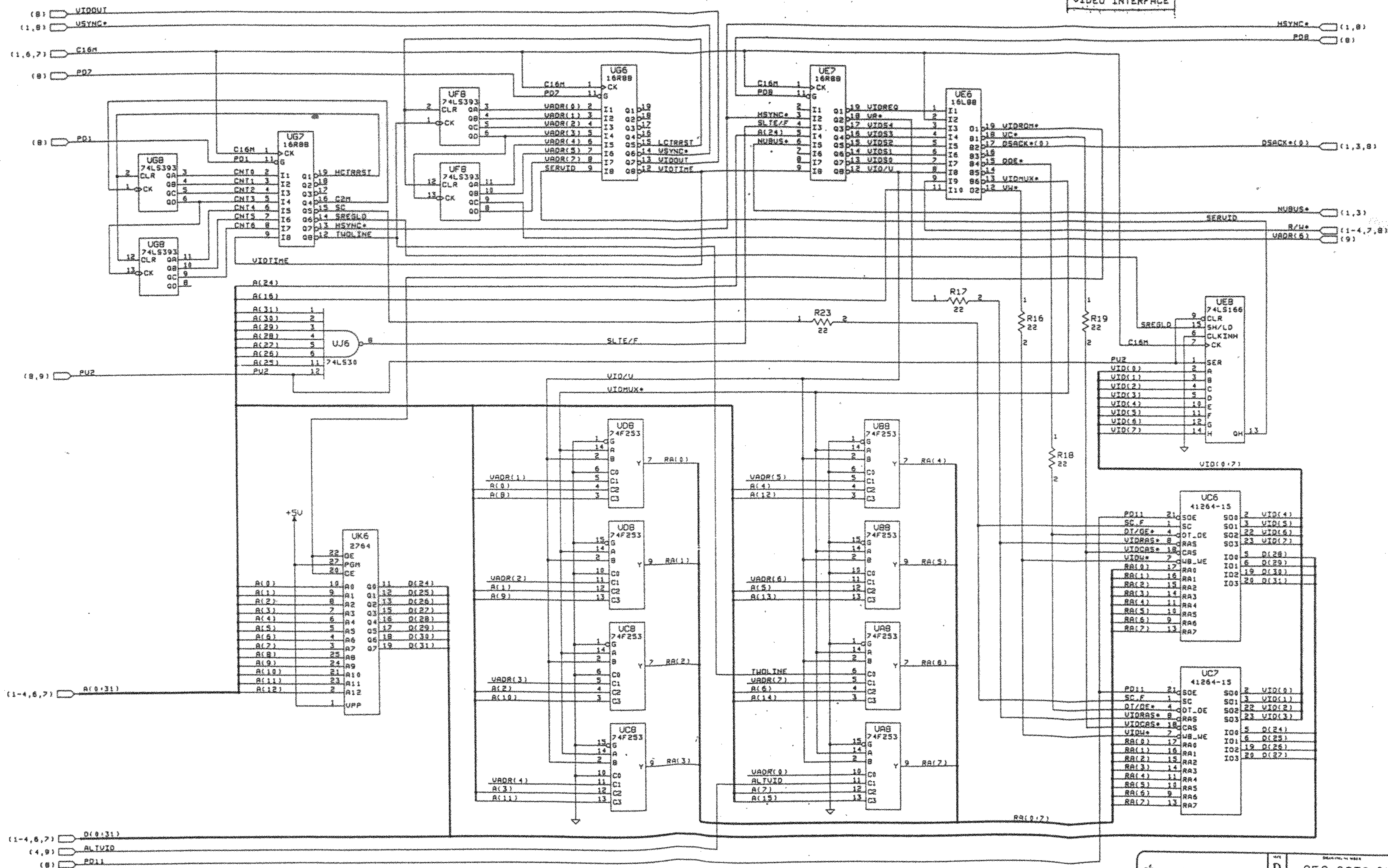


050-0253-01 3/9

VIA1 & VIA2 (65C22), RTC,  
APPLE DESKTOP BUS



VIDEO INTERFACE



A(24)

A(24)	1
A(15)	2
A(31)	3
A(29)	4
A(28)	5
A(27)	6
A(26)	7
A(25)	8
PV2	9

UK6 2764

A(0)	10	A8	08	11	D(24)
A(1)	9	A1	01	12	D(25)
A(2)	8	A2	02	13	D(26)
A(3)	7	A3	03	15	D(27)
A(4)	6	A4	04	16	D(28)
A(5)	5	A5	05	17	D(29)
A(6)	4	A6	06	18	D(30)
A(7)	3	A7	07	19	D(31)
A(8)	25	A8			
A(9)	24	A9			
A(10)	21	A10			
A(11)	23	A11			
A(12)	2	A12			
	1	UPP			

UC6 41264-15

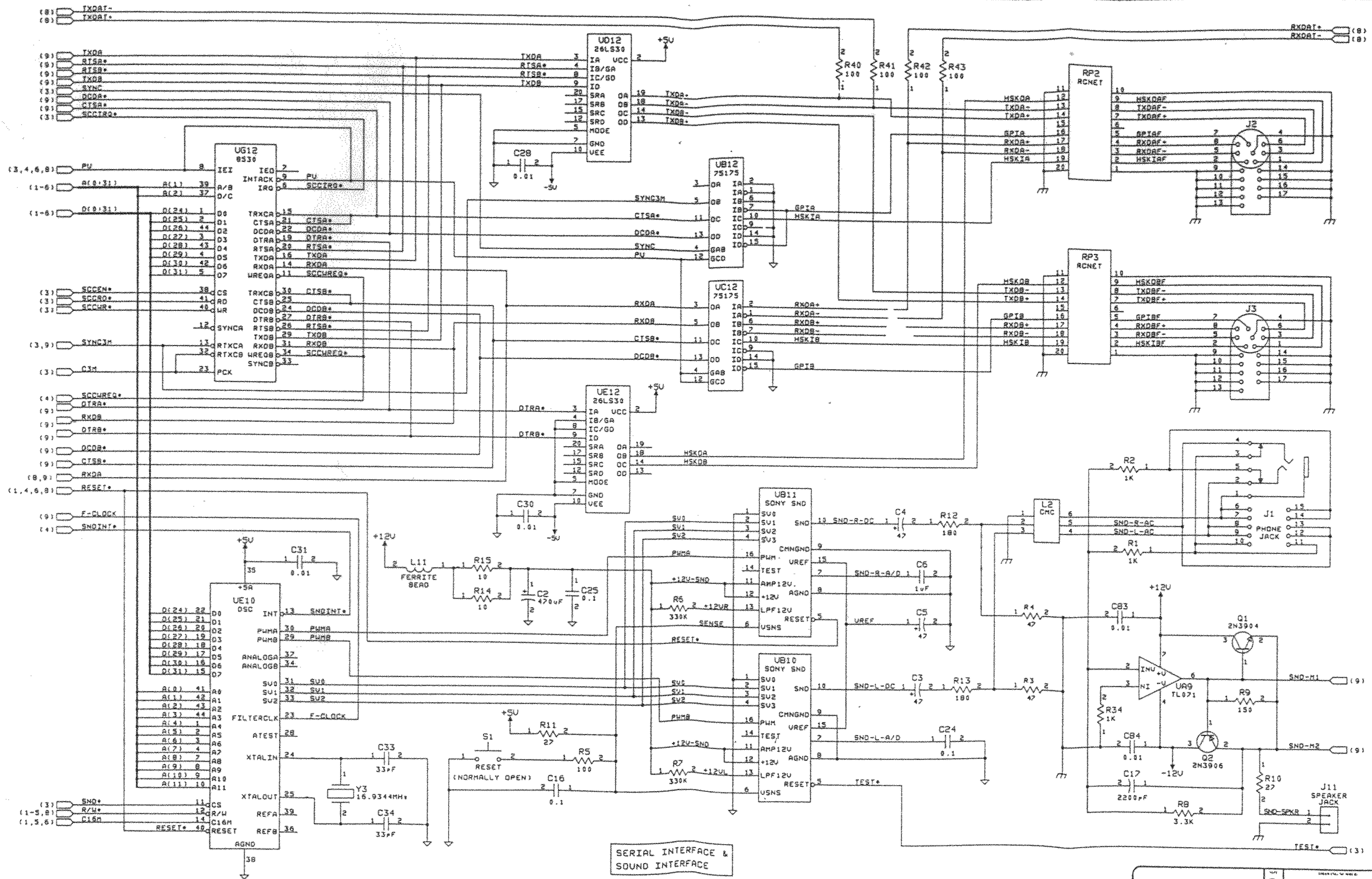
PD11	21	SOE	SO0	2	VID(4)
SC.F	1	SC	SO1	3	VID(5)
DI/OE*	4	DI/OE	SO2	22	VID(6)
VIDRAS*	8	CAS	SO3	23	VID(7)
VIDCAS*	18	CAS			
VIDU*	2	WB_WE	IO0	5	D(26)
RA(0)	17	RA0	IO1	6	D(29)
RA(1)	15	RA1	IO2	19	D(30)
RA(2)	15	RA2	IO3	29	D(31)
RA(3)	14	RA3			
RA(4)	11	RA4			
RA(5)	18	RA5			
RA(6)	9	RA6			
RA(7)	13	RA7			

UC7 41264-15

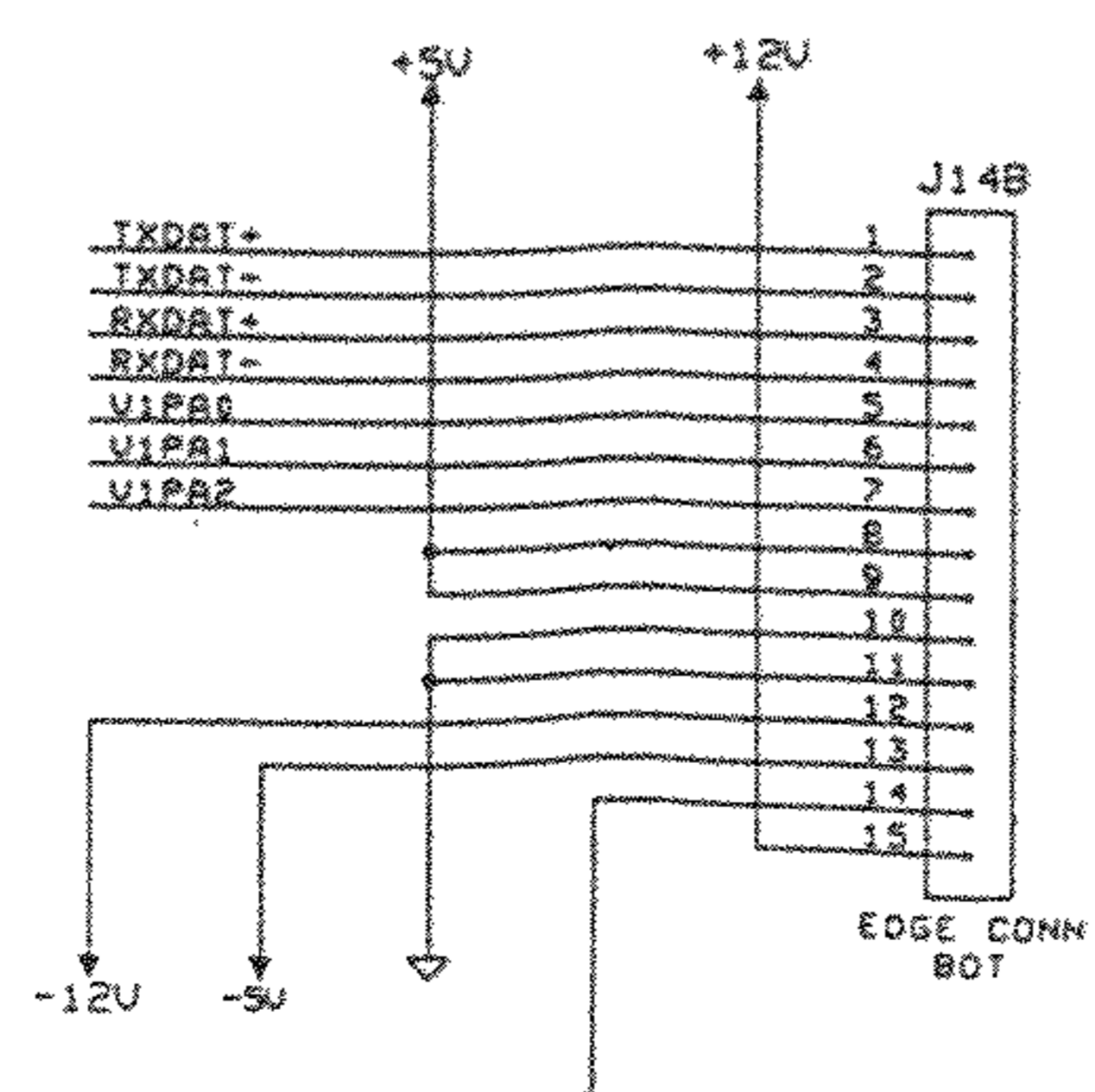
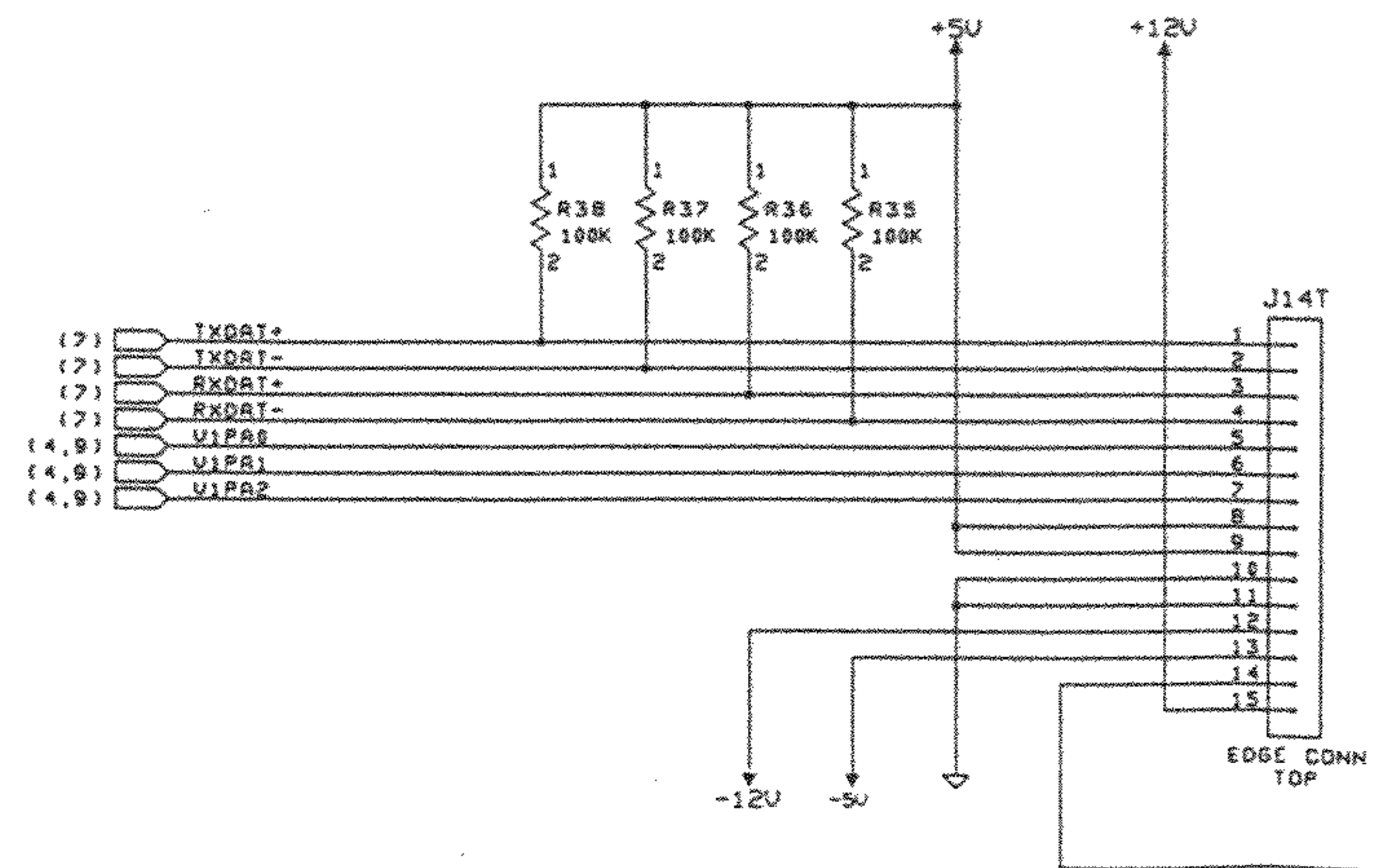
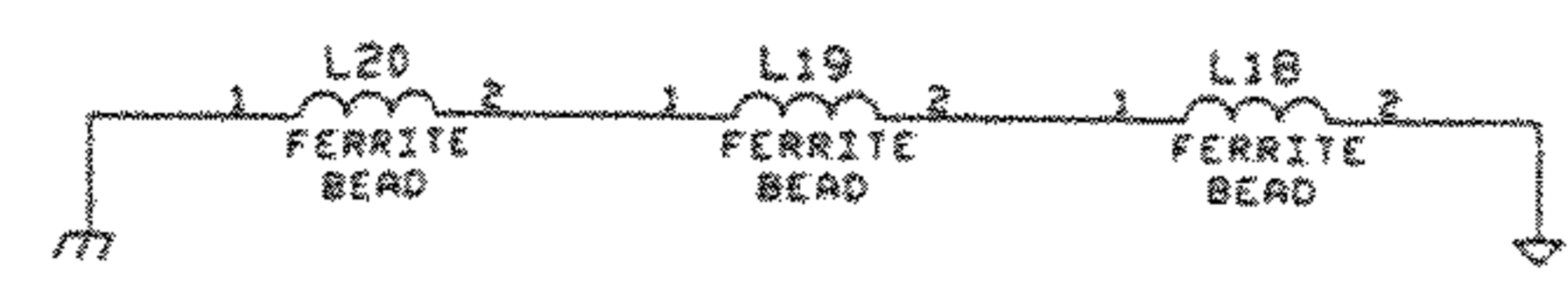
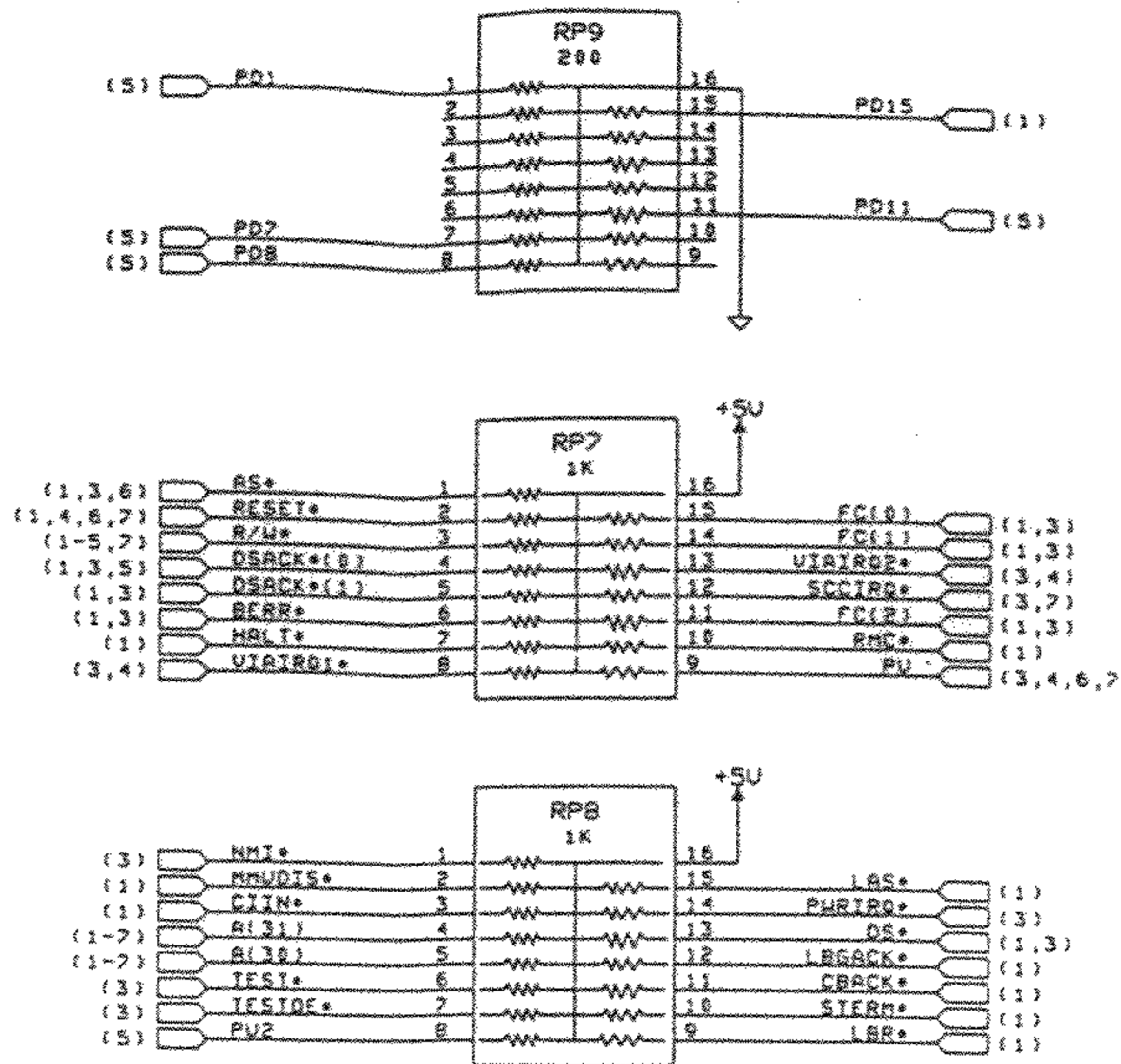
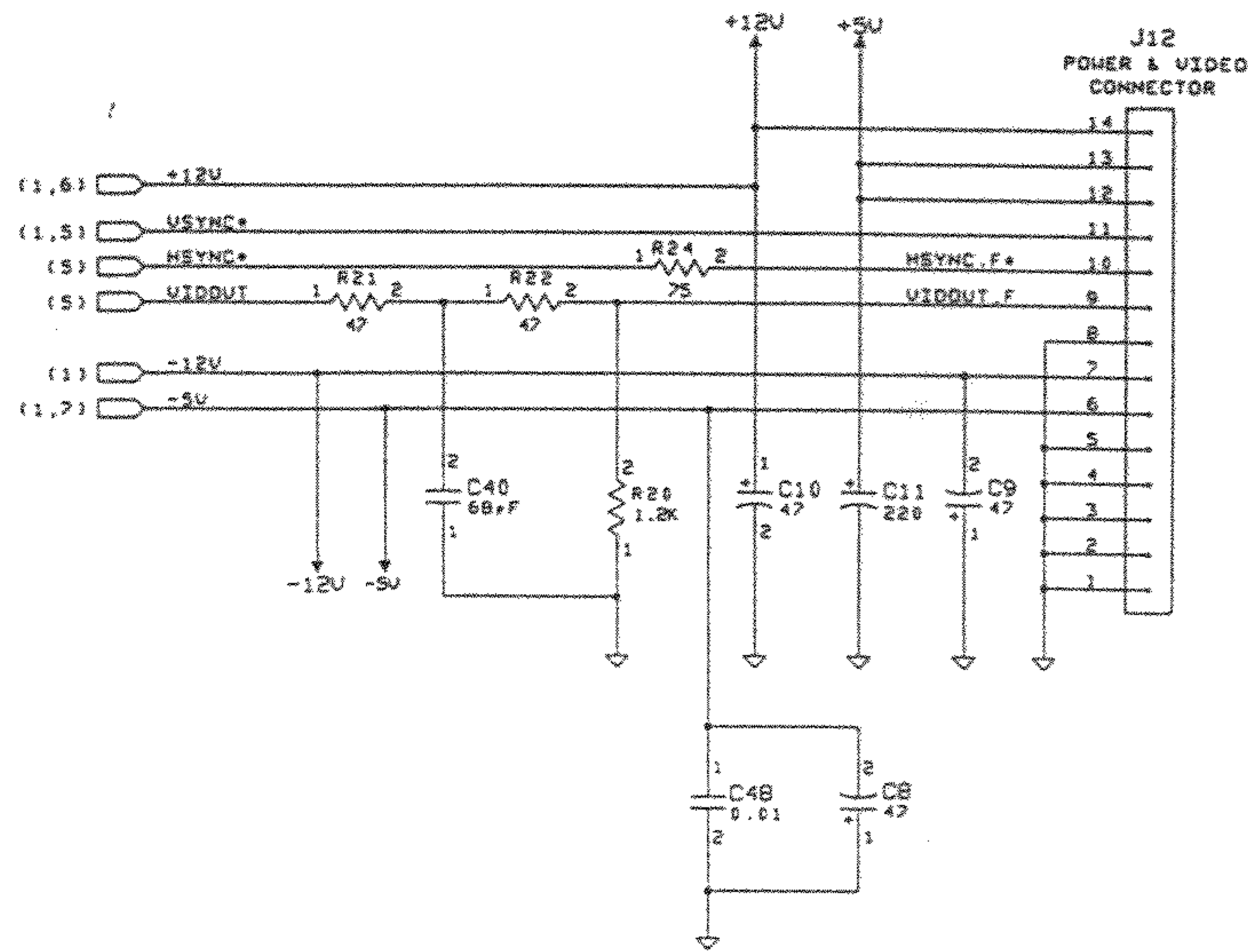
PD11	21	SOE	SO0	2	VID(0)
SC.F	1	SC	SO1	3	VID(1)
DI/OE*	4	DI/OE	SO2	22	VID(2)
VIDRAS*	8	CAS	SO3	23	VID(3)
VIDCAS*	18	CAS			
VIDU*	2	WB_WE	IO0	5	D(24)
RA(0)	17	RA0	IO1	6	D(25)
RA(1)	18	RA1	IO2	19	D(26)
RA(2)	15	RA2	IO3	29	D(27)
RA(3)	14	RA3			
RA(4)	11	RA4			
RA(5)	18	RA5			
RA(6)	9	RA6			
RA(7)	13	RA7			

- (1-4,6,7) D(0-31)
- (4,9) ALTVID
- (8) PD11

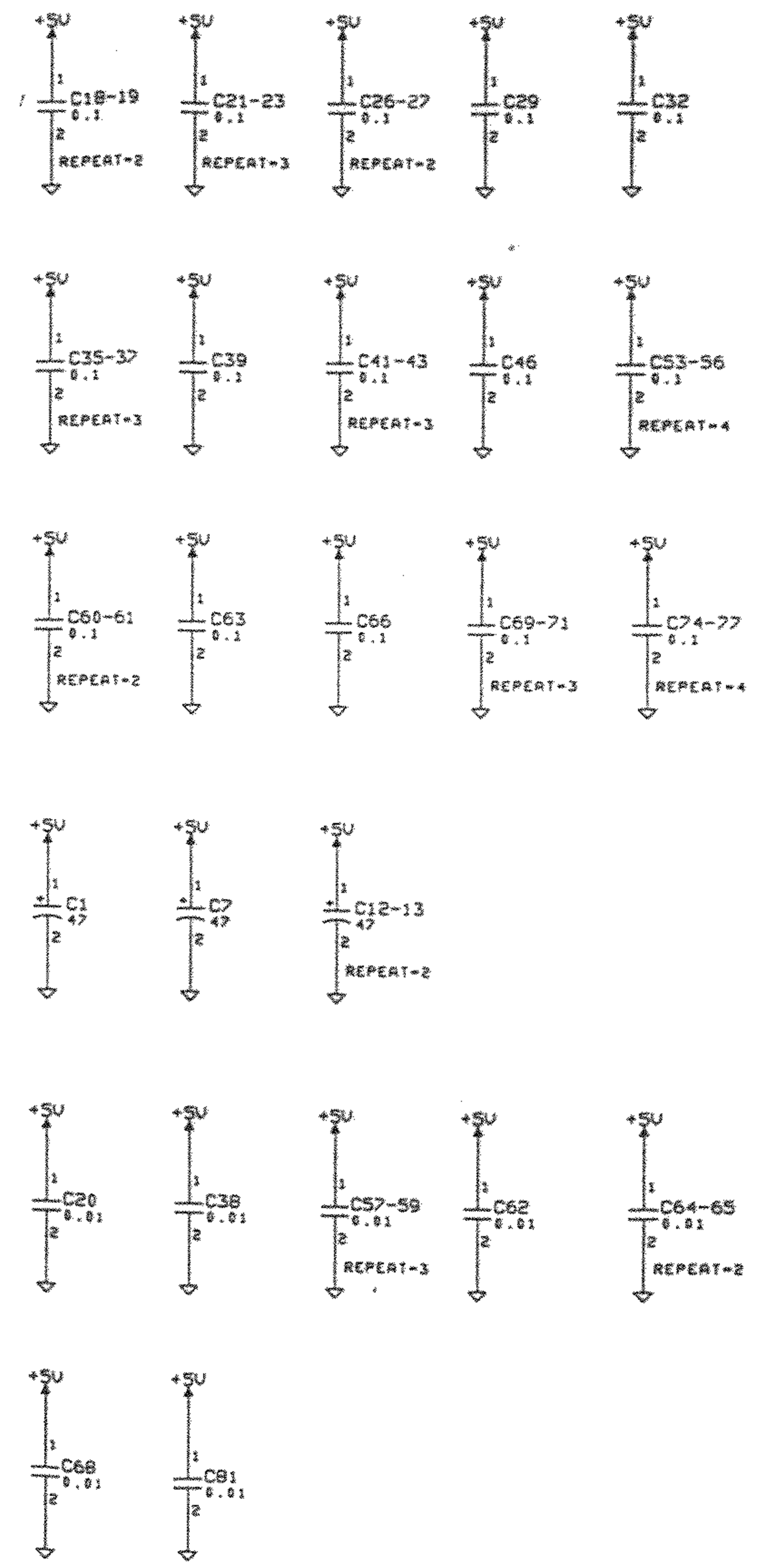
050-0253-01 7/9



SERIAL INTERFACE & SOUND INTERFACE

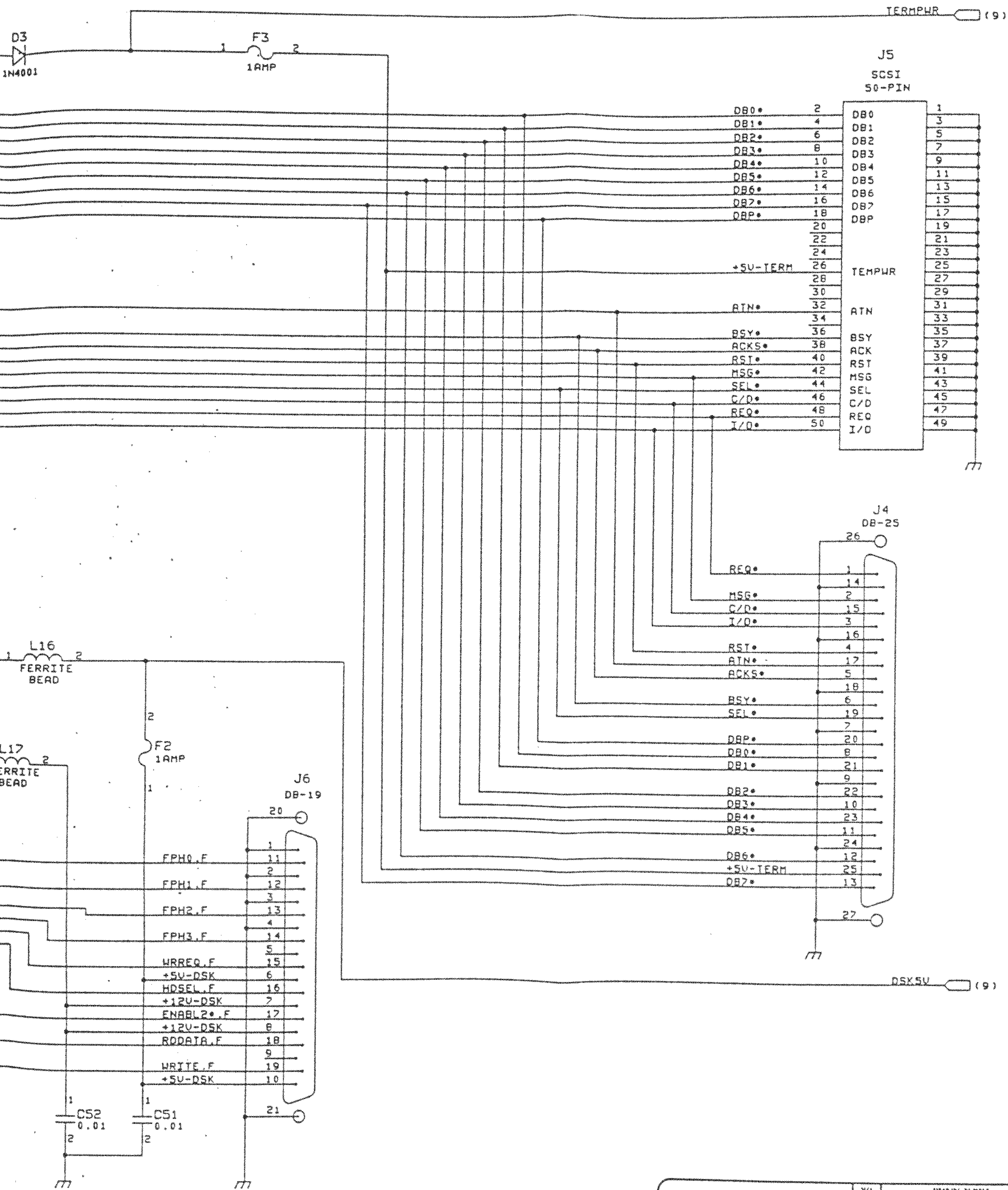


**POWER CONNECTOR, PULLUPS & PULLDOWNS**





SWIM & SCSI INTERFACE



DRAWING NUMBER 050-0253-01 6/9

Apple Computer, Inc.	REV D	050-0253-01
	DATE	MT 6 9

