

VOLTAGE REGULATION/DISTRIBUTION & A.D.B. PORT

will drawn provided courtesy of "MACCAP"

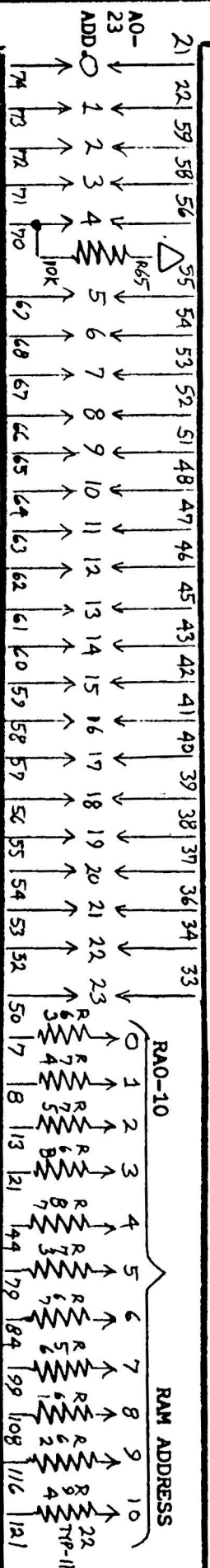
DO-31

DATA

0	1	2	3	4	5	6	7	8	9	10	11	12	13	14	15	16	17	18	19	20	21	22	23	24	25	26	27	28	29	30	31
175	76	78	79	80	81	82	83	86	87	88	89	91	92	93	94	96	97	98	99	101	102	103	104	106	107	108	109	111	112	113	114

part of U16 = 4, 8, 18, 30, 49, 63, 72, 85, 105, 115, 116, 128

\* = 1, 2, 5, 11, 19, 25, 35, 44, 57, 60, 66, 67, 77, 90, 95, 100, 110, 123



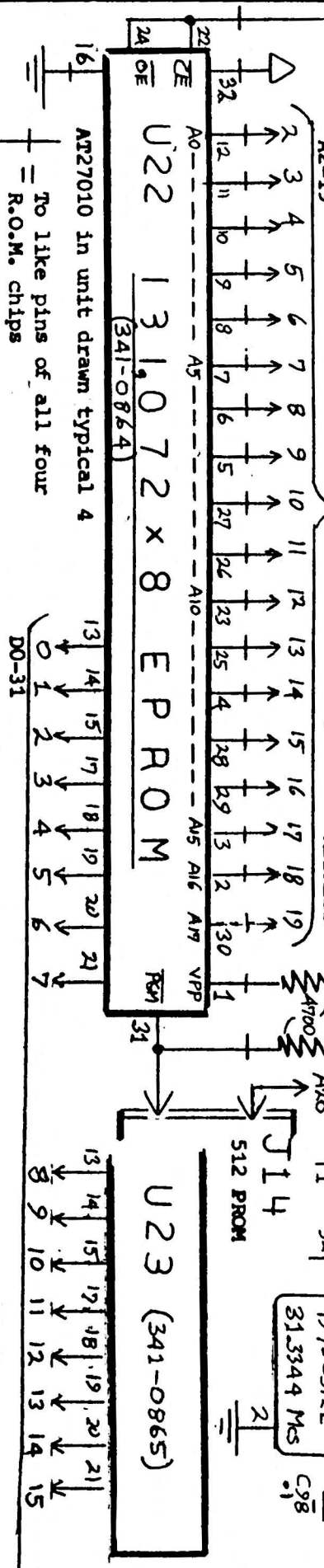
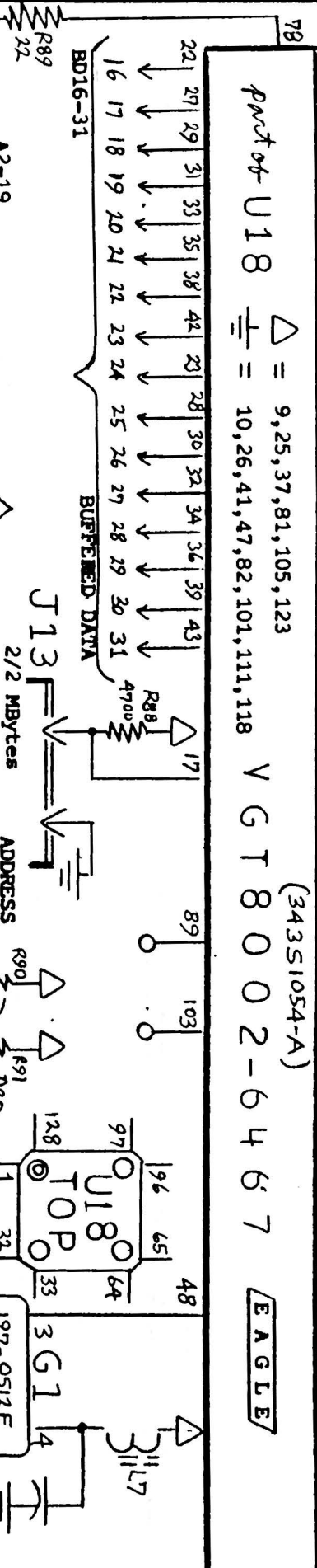
part of U18 = 9, 25, 37, 81, 105, 123

part of U18 = 10, 26, 41, 47, 82, 101, 111, 118

V G T 8 0 0 2 - 6 4 6 7

(343S1054-A)

EAGLE

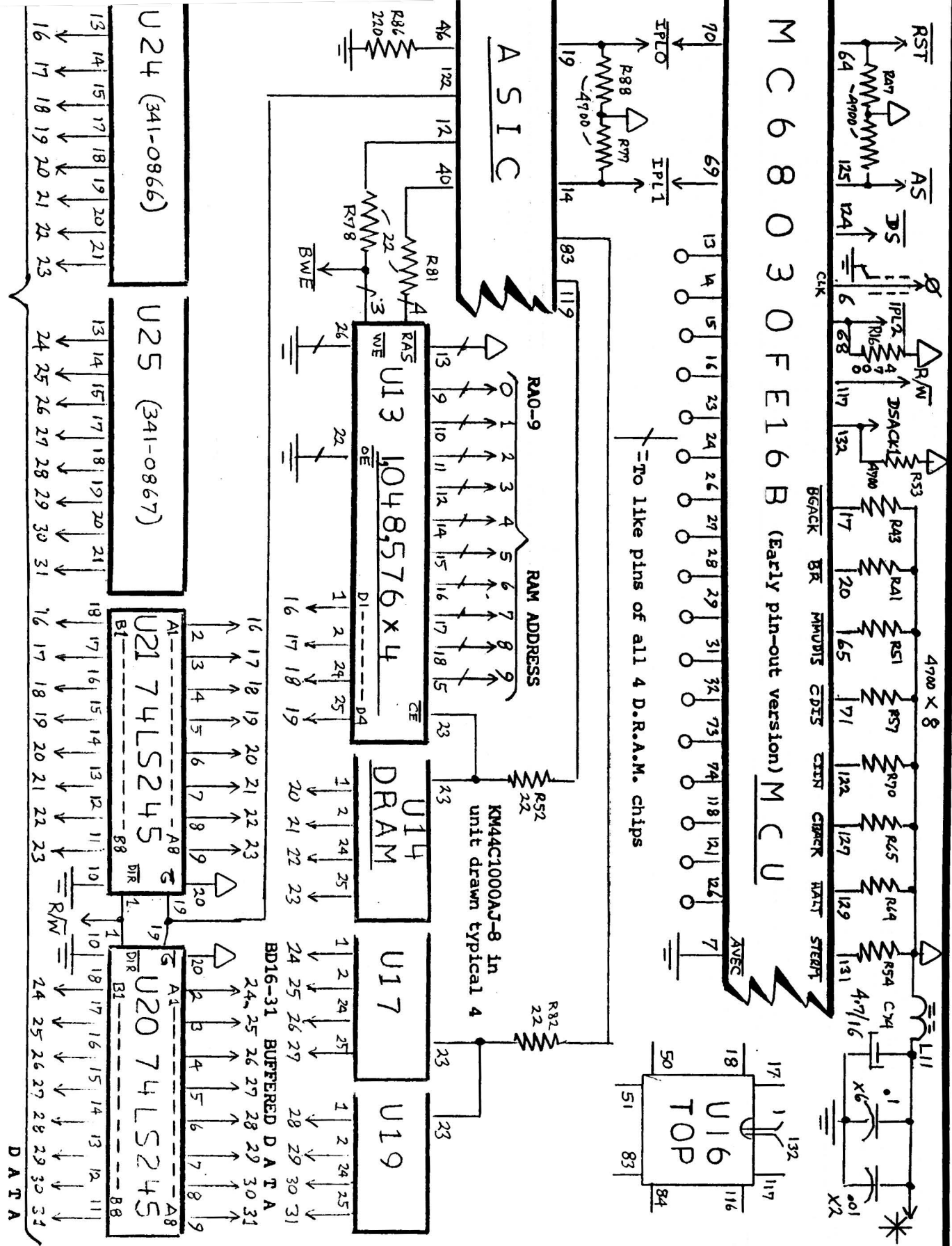


U22 (341-0864)

U23 (341-0865)

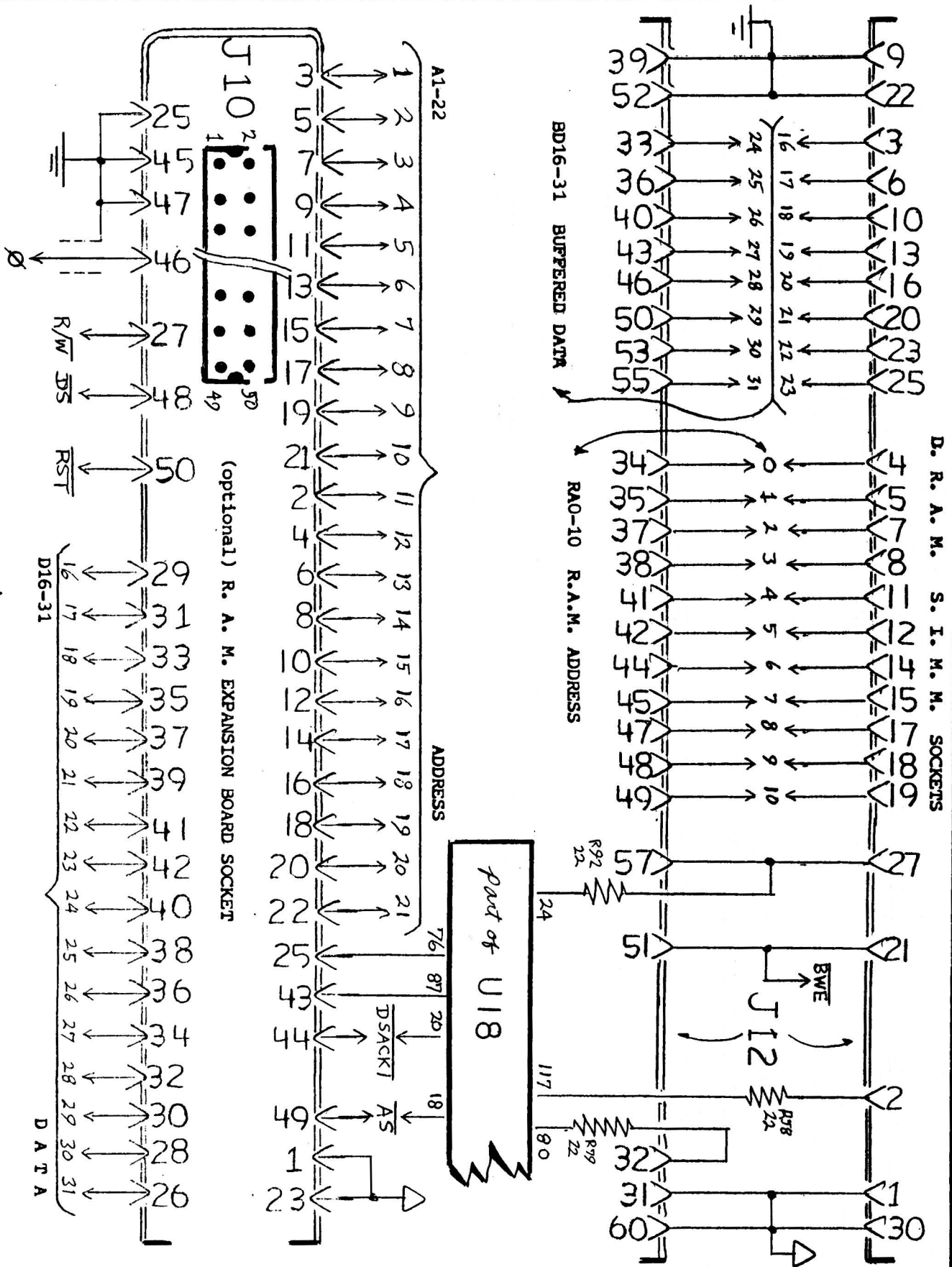
AE27010 in unit drawn typical 4

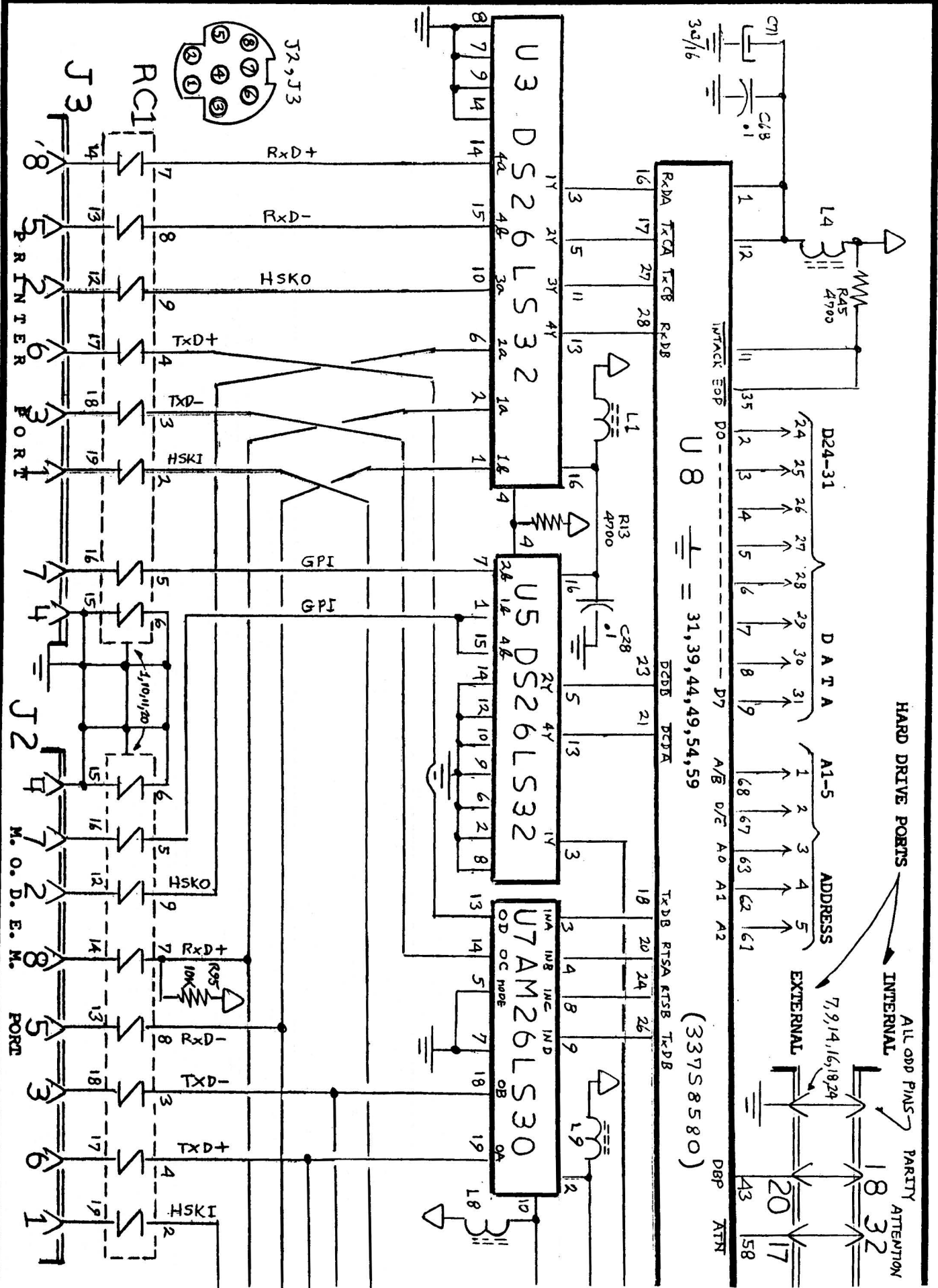
To like pins of all four R.O.M. chips

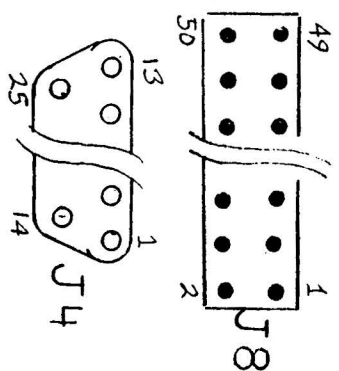
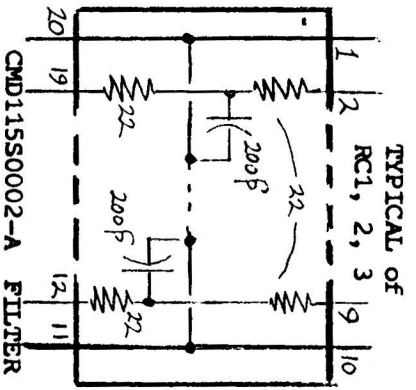
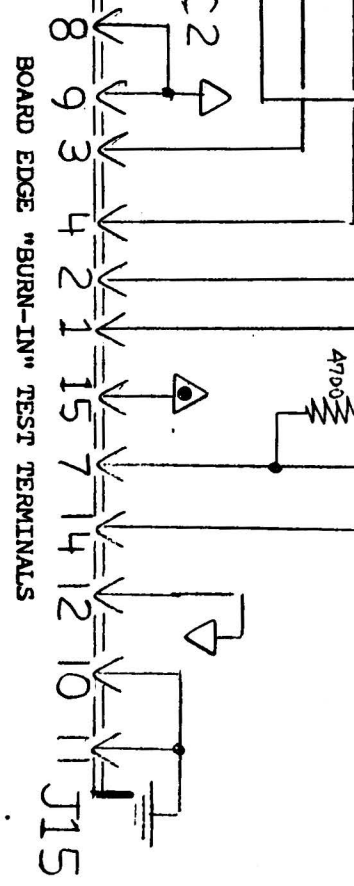
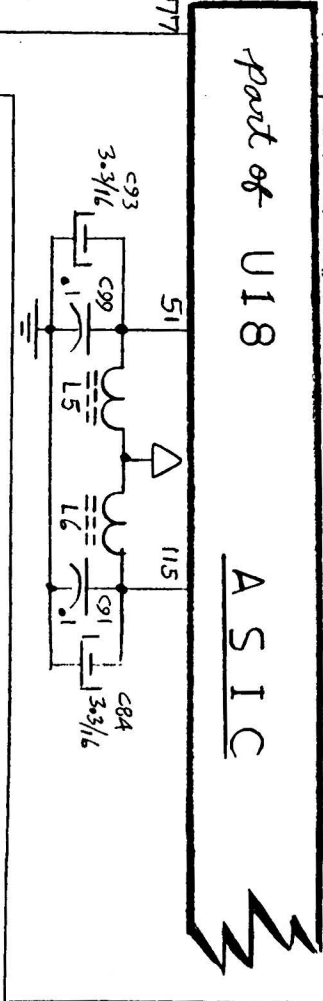
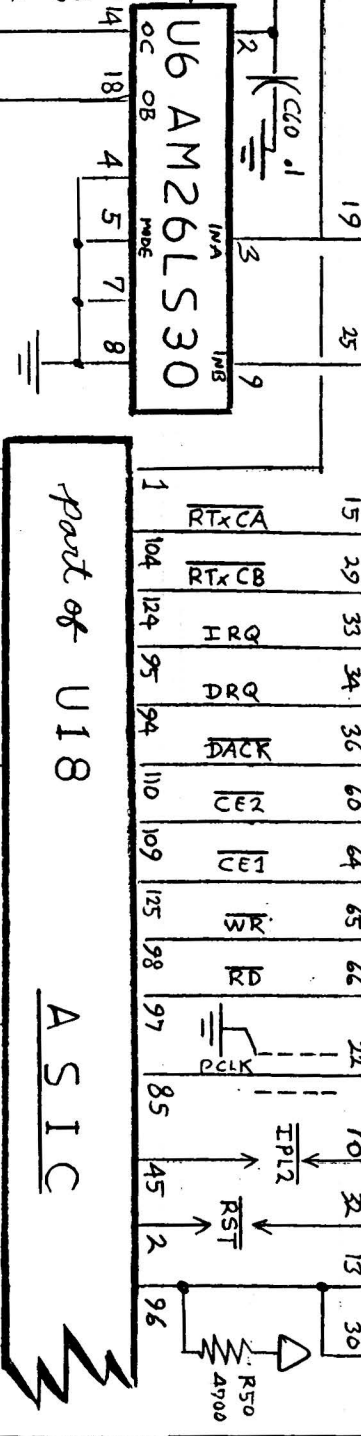
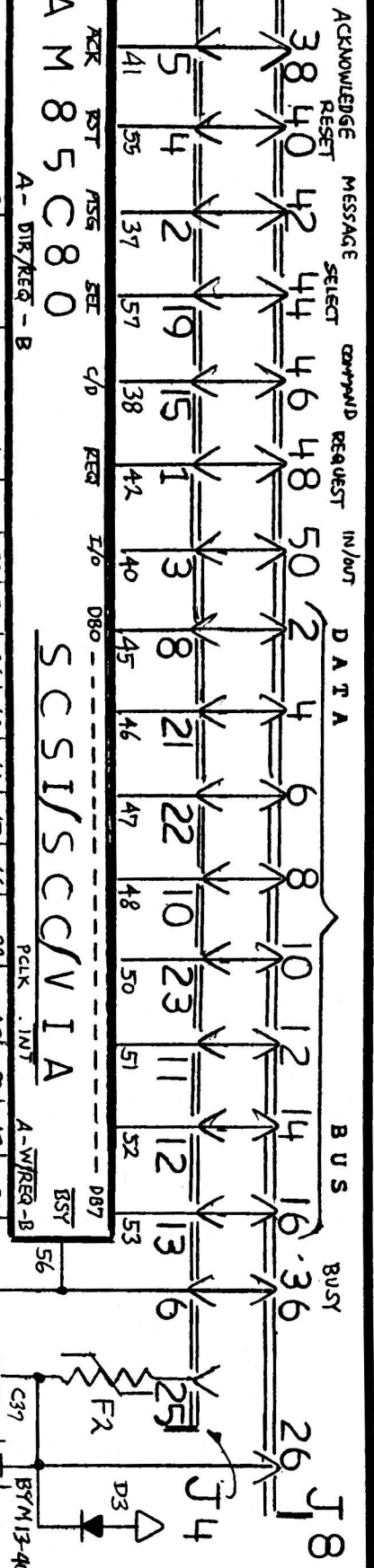


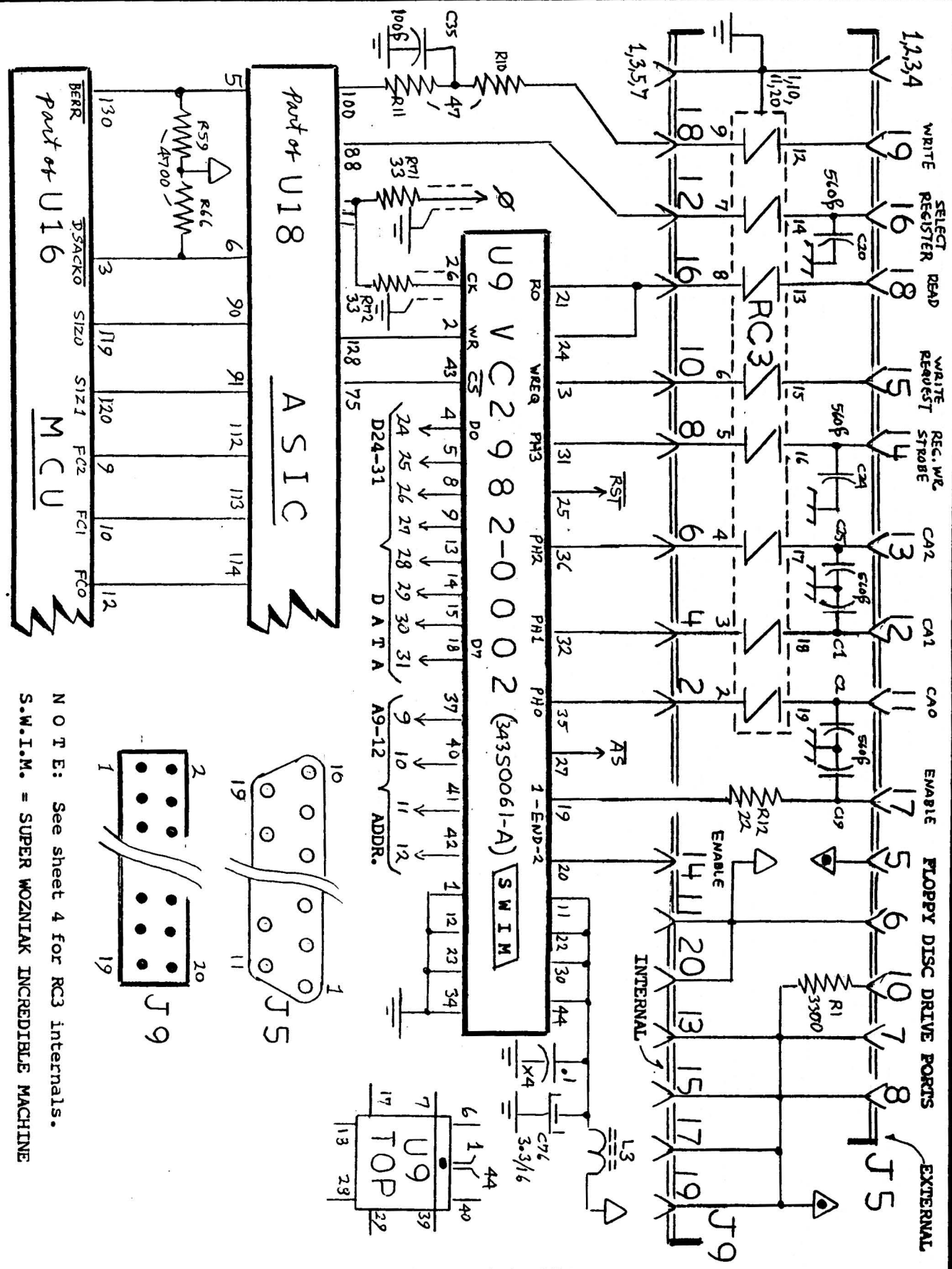
To like pins of all 4 D.R.A.M. chips

MC68030FE16B (Early pin-out version) MCU









NOTE: See sheet 4 for RC3 internals.  
 S.W.I.M. = SUPER WOZNIAK INCREDIBLE MACHINE

